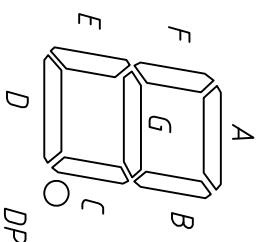
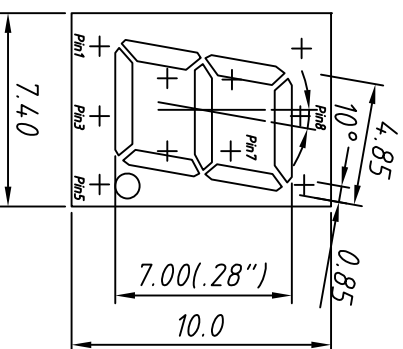


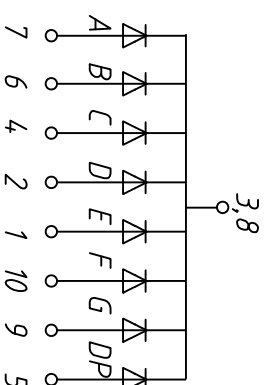
PACKAGE DIMENSION mm



INTERNAL CIRCUIT DIAGRAM

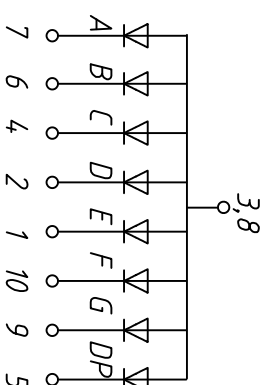
Common Cathode

L-KLS9-D-2811 AX



Common Anode

L-KLS9-D-2811 Bx

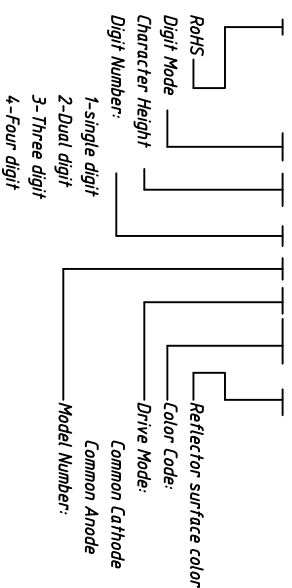


Color Code	Emitting Color	Peak Wavelength nm	Forward Voltage V <sub>f</sub> /Seg. V		Luminous Intensity I <sub>w</sub> /Seg. mcd	
			Typ.	Max.	Min.	Typ.
UHR	Ultra Red	640	2	2.5	40	60
UE	Orange	615	2	2.5	40	60
H	Red	623	2.25	2.5	0.4	0.8
Y0	Amber	605	2	2.5	40	60
UY	Yellow	590	2	2.5	40	60
UG	Green	568	2.1	2.5	25	40
PG	Pure Green	525	3.3	3.8	150	200
UB	Blue	465	3.3	3.8	40	100
UW	White		3.3	3.8	200	500

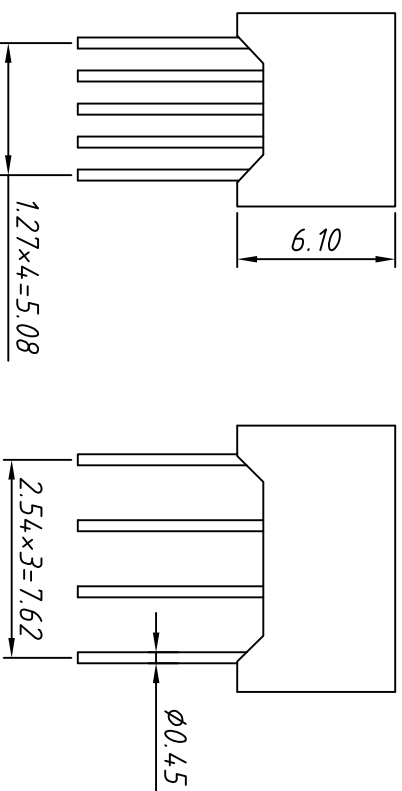
Electro/Optical Characteristics I<sub>f</sub>=20mA Ta=25°C

Order information

L-KLS9-D-28 1 1 A XX -X X



Maximum Ratings Ta=25°C (Derate above 25°C)



Characteristic	Test Condition	Symbol	Units	Ultra Red	Orange	Red	Amber	Yellow	Green	Pure Green	Blue	White
				UHR	UE	H	Y0	UY	UG	PG	UB	UW
Pulse Forward Current Per Seg.	1/10 duty cycle 0.1ms Pulse width	I <sub>FP</sub>	mA	100	100	50	100	100	100	100	100	100
DC Forward Current Per Seg.		I <sub>F</sub>	mA	30	30	15	30	30	30	30	30	30
Reverse Current Per Seg.	V <sub>R</sub> =5V	I <sub>R</sub>	A	10	10	10	10	10	10	10	10	10
Power Dissipation		P <sub>D</sub>	mW	65x8	65x8	40x8	65x8	65x8	75x8	110x8	120x8	120x8

Tolerance: ±0.25mm unless stated	Description: 0.28" Single Digit 7 Segment DISPLAYS
PROJECTION	
UNITS	KLS P/N: L-KLS9-D-2811XXXXX
SHEET SIZE	A4
Draw data	2018-1-25
Check data	2018-1-25



Ningbo KLS ELECTRONIC CO., LTD.