

Material
 Housing: PA66, UL94V-0
 Pin header: Brass, Tin plated

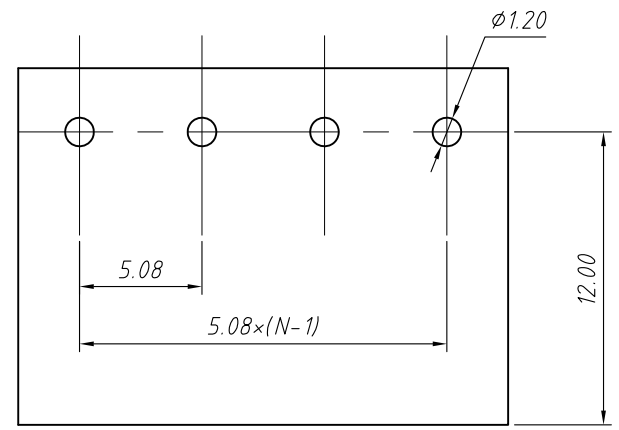
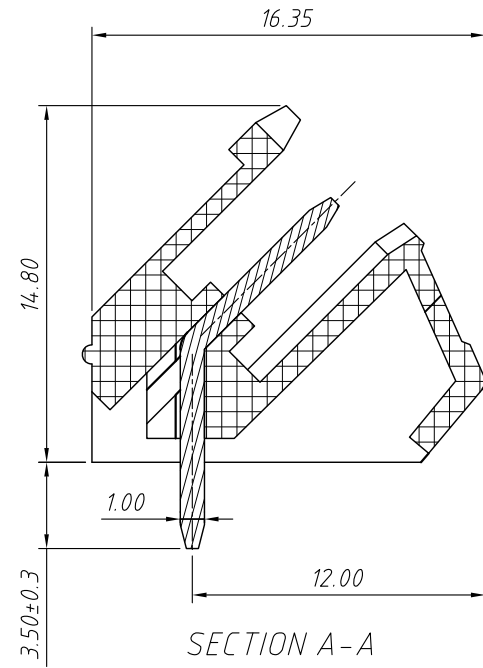
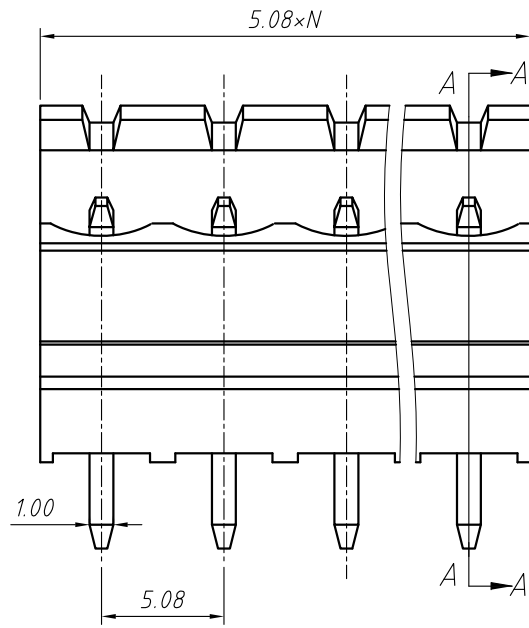
Electrical
 Rated voltage: 300V
 Rated current: 15A
 Contact Resistance: 20 mΩ
 Insulation resistance: 500MΩ/DC500V
 Withstand voltage: AC2000V / 1 min

Mechanical
 Temp. Range: -40 °C ~ +105 °C

Order Information

L-KLS2-EDY-5.00-XXP-4 00
 RoHS
 Terminal Block
 Pitch
 No.: of Pole
 Color: 4- Green
 Product Code: 00~99

GENERAL TOLERANCE		ANGLE TOLERANCE		Description:	
X. ±0.60		X. ±5°		Pluggable Terminal Block 5.00MM	
.X ±0.38		.X ±3°		KLS P/N:	KLS2-EDY-5.00-XXP-4-00
.XX ±0.25		.XX ±2°			
Draw by	2015-09-01	PROJECTION		NingBo KLS ELECTRONIC CO.,L TD.	
Check by	2015-09-15	UNITS	mm		
SCALE		SHEET SIZE	A4		

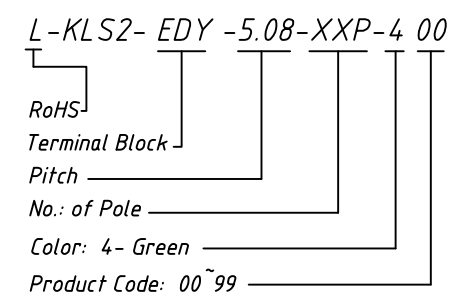


Material
 Housing: PA66, UL94V-0
 Pin header: Brass, Tin plated

Electrical
 Rated voltage: 300V
 Rated current: 15A
 Contact Resistance: 20 mΩ
 Insulation resistance: 500MΩ/DC500V
 Withstand voltage: AC2000V / 1 min

Mechanical
 Temp. Range: -40 °C ~ +105 °C

Order Information



GENERAL TOLERANCE		ANGLE TOLERANCE		Description:	
X. ±0.60		X. ±5°		Pluggable Terminal Block 5.08MM	
.X ±0.38		.X ±3°			
.XX ±0.25		.XX ±2°		KLS P/N:	KLS2-EDY-5.08-XXP-4-00
Draw by	2015-09-01	PROJECTION			NingBo KLS ELECTRONIC CO.,L TD.
Check by	2015-09-15	UNITS	mm		
SCALE		SHEET SIZE	A4		