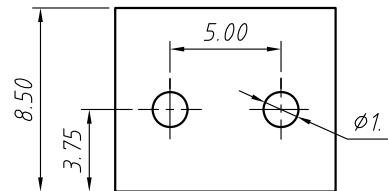


SECTION A-A



Material  
 Housing: PA66, UL94V-0  
 Pin header: Brass, Tin plated  
 Nut: M2.5, Brass

Electrical  
 Rated voltage: 300V  
 Rated current: 15A  
 Contact Resistance: 20 m Ω  
 Insulation resistance: 500MΩ/DC500V  
 Withstand voltage: AC2000V / 1 min

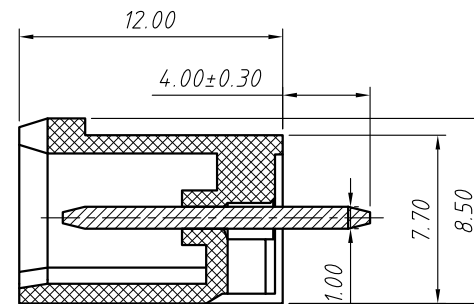
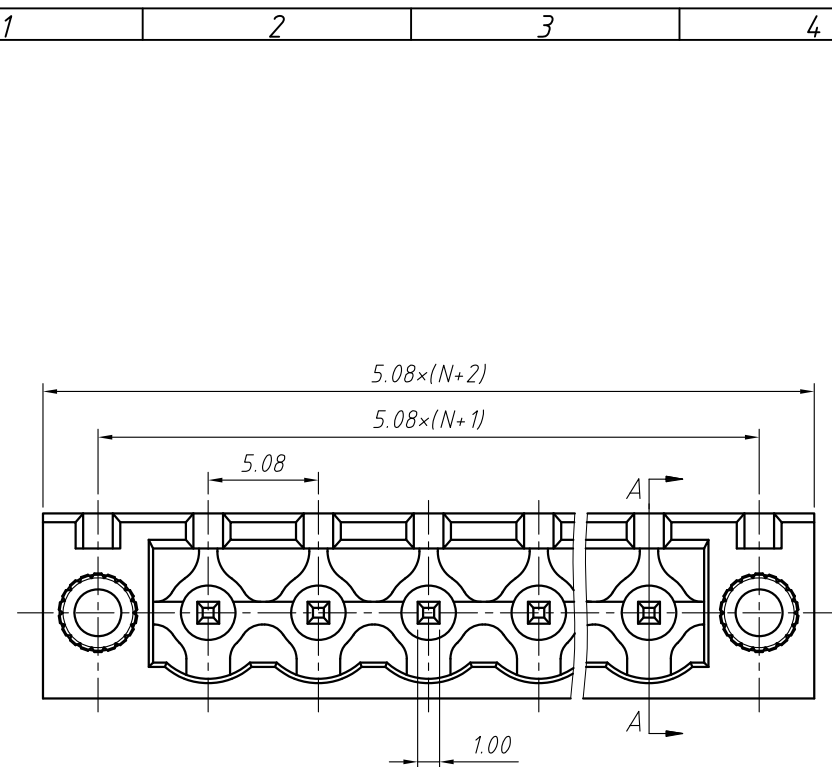
Mechanical  
 Temp. Range: -40 °C ~ +105 °C

Order Information

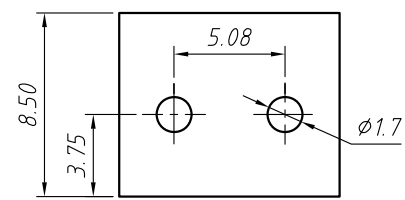
L-KLS2-EDVY-5.00-XXP-4 00

RoHS  
 Terminal Block  
 Pitch  
 No.: of Pole  
 Color: 4- Green  
 Product Code: 00~99

| GENERAL TOLERANCE |            | ANGLE TOLERANCE |    | Description:                    |                                 |
|-------------------|------------|-----------------|----|---------------------------------|---------------------------------|
| X. ±0.60          |            | X. ±5°          |    | Pluggable Terminal Block 5.00MM |                                 |
| .X ±0.38          |            | .X ±3°          |    | KLS P/N:                        | KLS2-EDVY-5.00-XXP-4-00         |
| .XX ±0.25         |            | .XX ±2°         |    |                                 |                                 |
| Draw by           | 2015-09-01 | PROJECTION      |    |                                 | NingBo KLS ELECTRONIC CO.,L TD. |
| Check by          | 2015-09-15 | UNITS           | mm |                                 |                                 |
| SCALE             |            | SHEET SIZE      | A4 |                                 |                                 |



SECTION A-A



**Material**  
**Housing:** PA66, UL94V-0  
**Pin header:** Brass, Tin plated  
**Nut:** M2.5, Brass

**Electrical**  
**Rated voltage:** 300V  
**Rated current:** 15A  
**Contact Resistance:** 20 m Ω  
**Insulation resistance:** 500MΩ/DC500V  
**Withstand voltage:** AC2000V / 1 min

**Mechanical**  
**Temp. Range:** -40 °C ~ +105 °C

**Order Information**

**L-KLS2-EDVY-5.08-XXP-4 00**

RoHS \_\_\_\_\_  
Terminal Block \_\_\_\_\_  
Pitch \_\_\_\_\_  
No.: of Pole \_\_\_\_\_  
Color: 4- Green \_\_\_\_\_  
Product Code: 00~99 \_\_\_\_\_

|                          |            |                        |    |                                 |                         |
|--------------------------|------------|------------------------|----|---------------------------------|-------------------------|
| <b>GENERAL TOLERANCE</b> |            | <b>ANGLE TOLERANCE</b> |    | <b>Description:</b>             |                         |
| X. ±0.60                 |            | X. ±5°                 |    | Pluggable Terminal Block 5.08MM |                         |
| .X ±0.38                 |            | .X ±3°                 |    |                                 |                         |
| .XX ±0.25                |            | .XX ±2°                |    |                                 |                         |
| <b>Draw by</b>           | 2015-09-01 | <b>PROJECTION</b>      |    | <b>KLS P/N:</b>                 | KLS2-EDVY-5.08-XXP-4-00 |
| <b>Check by</b>          | 2015-09-15 | <b>UNITS</b>           | mm | NingBo KLS ELECTRONIC CO.,L TD. |                         |
| <b>SCALE</b>             |            | <b>SHEET SIZE</b>      | A4 |                                 |                         |