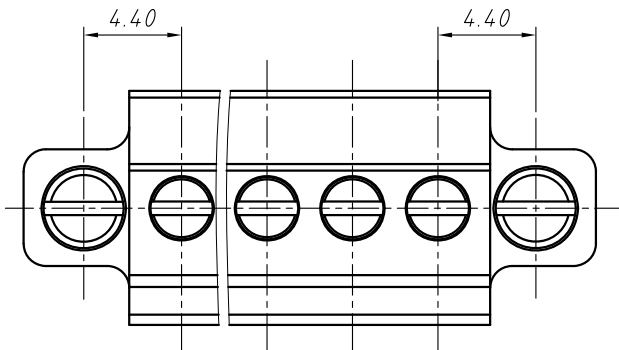


SECTION A-A



Material
 Housing: PA66, UL94V-0
 Clamp: Phosphor bronze, Ni Plated
 Screws: M2 Steel, Zinc plated
 Wire guard: Brass, Ni plated

Electrical
 Rated voltage: 300V
 Rated current: 8A
 Contact Resistance: 20 mΩ
 Insulation resistance: 500MΩ/DC500V
 Withstand voltage: AC2000V / 1 min
 Wire Range: 28 ~ 16AWG 1.5mm²

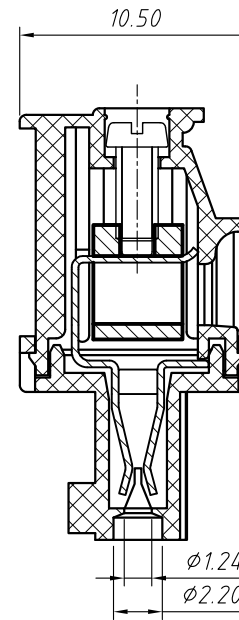
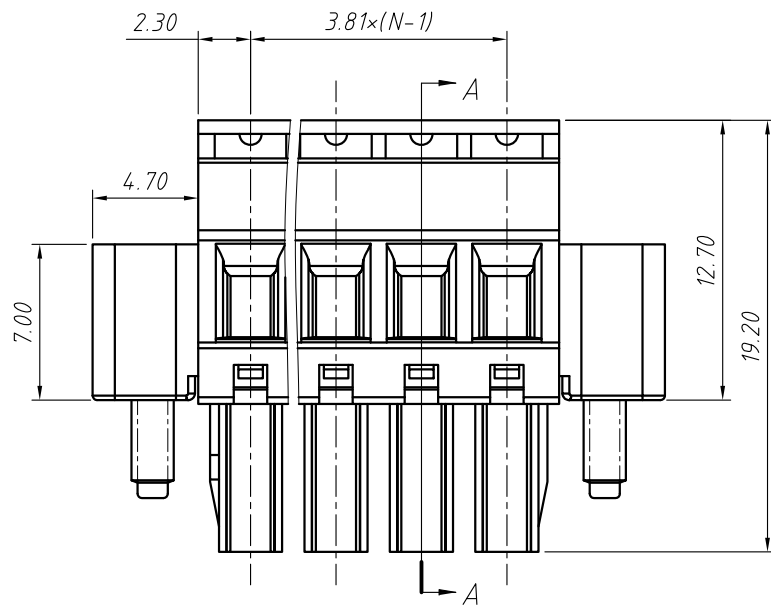
Mechanical
 Temp. Range: -40 °C ~ +105 °C
 Strip length: 6 ~ 7mm
 Torque: 0.2Nm (1.7 bin)

Order Information

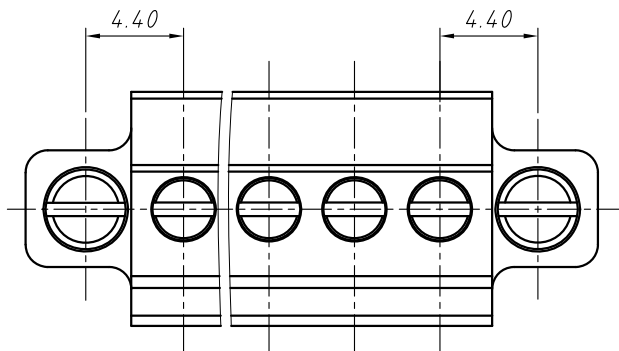
L-KLS2- EDNDM -3.50-XXP-4 S 00

RoHS
 Terminal Block
 Pitch
 No. of Pole
 Color: 4- Green
 Screw: S-Slot Screw C-Crass Screw
 Product Code: 00 ~ 99

GENERAL TOLERANCE		ANGLE TOLERANCE		Description:	
X. ±0.60		X. ±5°		Pluggable Terminal Block 3.50MM	
.X ±0.38		.X ±3°			
.XX ±0.25		.XX ±2°			
Draw by	2015-09-01	PROJECTION		KLS P/N:	KLS2-EDNDM-3.50-XXP-4S-00
Check by	2015-09-15	UNITS	mm		NingBo KLS ELECTRONIC CO.,L TD.
SCALE		SHEET SIZE	A4		



SECTION A-A



Material
Housing: PA66, UL94V-0
Clamp: Phosphor bronze, Ni Plated
Screws: M2 Steel, Zinc plated
Wire guard: Brass, Ni plated



Electrical
Rated voltage: 300V
Rated current: 8A
Contact Resistance: 20 m Ω
Insulation resistance: 500M Ω /DC500V
Withstand voltage: AC2000V / 1 min
Wire Range: 28 ~ 16AWG 1.5mm²

Mechanical
Temp. Range: -40 °C ~ +105 °C
Strip length: 6 ~ 7mm
Torque: 0.2Nm (1.7 bin)

Order Information

L-KLS2- EDNDM -3.81-XXP-4 S 00

RoHS
Terminal Block
Pitch
No. of Pole
Color: 4- Green
Screw: S-Slot Screw C-Crass Screw
Product Code: 00 ~ 99

GENERAL TOLERANCE		ANGLE TOLERANCE		Description:	
X. ±0.60		X. ±5°		Pluggable Terminal Block 3.81MM	
.X ±0.38		.X ±3°		KLS P/N:	KLS2-EDNDM-3.81-XXP-4S-00
.XX ±0.25		.XX ±2°		 NingBo KLS ELECTRONIC CO.,L TD.	
Draw by	2015-09-01	PROJECTION			
Check by	2015-09-15	UNITS	mm		
SCALE		SHEET SIZE	A4		