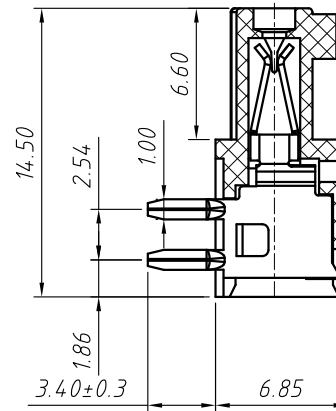
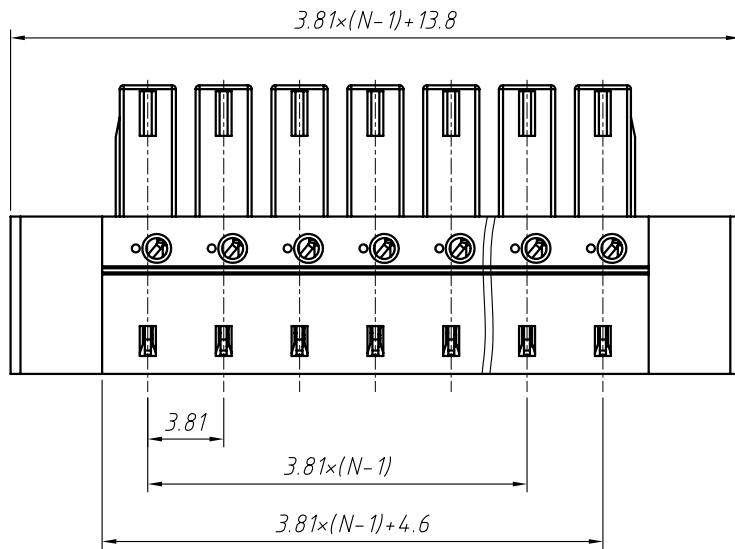


PCB LAYOUT




Material
Housing: PA66, UL94V-0
Clamp: Phosphor Bronze, Tin plated

Electrical
Rated voltage: 300V
Rated current: 8A
Contact Resistance: 20 mΩ
Insulation resistance: 500MΩ/DC500V
Withstand voltage: AC1250V / 1min

Mechanical
Temp. Range: -40 °C ~ +105 °C

Order Information

L-KLS2- EDKRM -3.81-XXP-4 00
 RoHS
 Terminal Block
 Pitch
 No.: of Pole
 Color: 4- Green
 Product Code: 00~99

GENERAL TOLERANCE	ANGLE TOLERANCE	Description:		
X. ±0.60	X. ±5°	Pluggable Terminal Block 3.81 MM		
.X ±0.38	.X ±3°			
.XX ±0.25	.XX ±2°	KLS P/N:	KLS2-EDKRM-3.81-XXP-4-00	
Draw by 2015-09-01	PROJECTION		NingBo KLS ELECTRONIC CO.,L TD.	
Check by 2015-09-15	UNITS			mm
SCALE	SHEET SIZE			A4