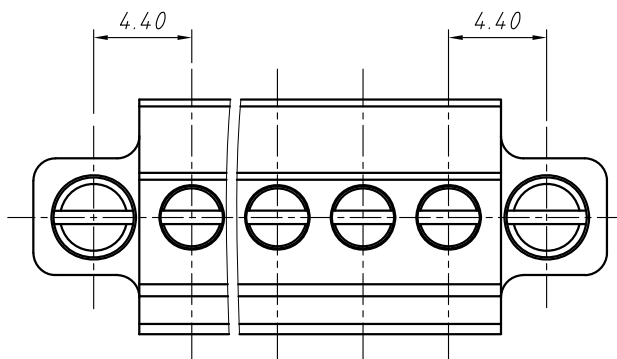


SECTION A-A



Material
Housing: PA66, UL94V-0
Clamp: Phosphor bronze, Ni Plated
Screws: M2 Steel, Zinc plated
Wire guard: Brass, Ni plated



Electrical
Rated voltage: 300V
Rated current: 8A
Contact Resistance: 20 mΩ
Insulation resistance: 500MΩ/DC500V
Withstand voltage: AC2000V / 1 min
Wire Range: 28 ~ 16AWG 1.5mm²

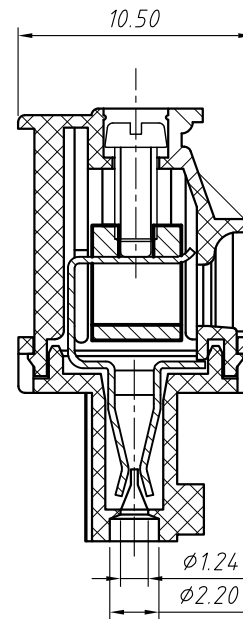
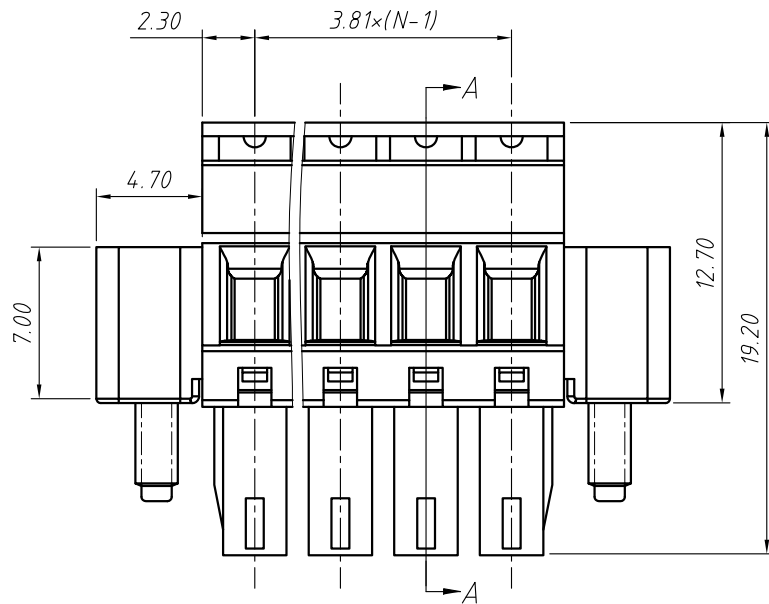
Mechanical
Temp. Range: -40 °C ~ +105 °C
Strip length: 6 ~ 7mm
Torque: 0.2Nm (1.7 bin)

Order Information

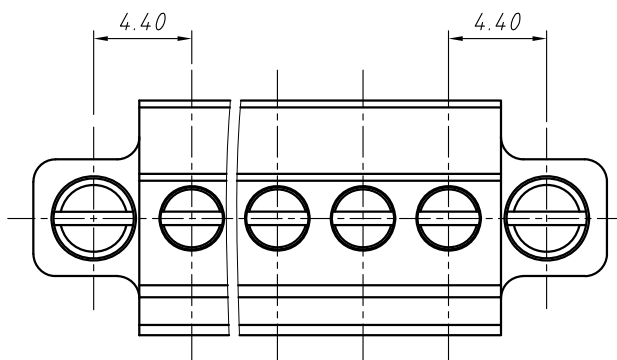
L-KLS2-EDCDM-3.50-XXP-4S00

RoHS
Terminal Block
Pitch
No. of Pole
Color: 4- Green
Screw: S-Slot Screw C-Cross Screw
Product Code: 00 ~ 99

GENERAL TOLERANCE	ANGLE TOLERANCE	Description:	
X. ±0.60	X. ±5°	Pluggable Terminal Block 3.50MM	
.X ±0.38	.X ±3°	KLS P/N:	KLS2-EDCDM-3.50-XXP-4S-00
.XX ±0.25	.XX ±2°	 NingBo KLS ELECTRONIC CO.,L TD.	
Draw by 2015-09-01	PROJECTION 		
Check by 2015-09-15	UNITS mm		
SCALE	SHEET SIZE A4		



SECTION A-A



Material
Housing: PA66, UL94V-0
Clamp: Phosphor bronze, Ni Plated
Screws: M2 Steel, Zinc plated
Wire guard: Brass, Ni plated

Electrical
Rated voltage: 300V
Rated current: 8A
Contact Resistance: 20 mΩ
Insulation resistance: 500MΩ/DC500V
Withstand voltage: AC2000V / 1 min
Wire Range: 28 ~ 16AWG 1.5mm²

Mechanical
Temp. Range: -40 °C ~ +105 °C
Strip length: 6 ~ 7mm
Torque: 0.2Nm (1.7 bin)

Order Information

L-KLS2-EDCDM-3.81-XXP-4 S 00

RoHS
Terminal Block
Pitch
No. of Pole
Color: 4- Green
Screw: S-Slot Screw C-Cross Screw
Product Code: 00 ~ 99

GENERAL TOLERANCE	ANGLE TOLERANCE	Description:
X. ±0.60	X. ±5°	Pluggable Terminal Block 3.81MM
.X ±0.38	.X ±3°	
.XX ±0.25	.XX ±2°	
Draw by 2015-09-01	PROJECTION	KLS P/N: KLS2-EDCDM-3.81-XXP-4S-00
Check by 2015-09-15	UNITS mm	NingBo KLS ELECTRONIC CO.,L TD.
SCALE	SHEET SIZE A4	