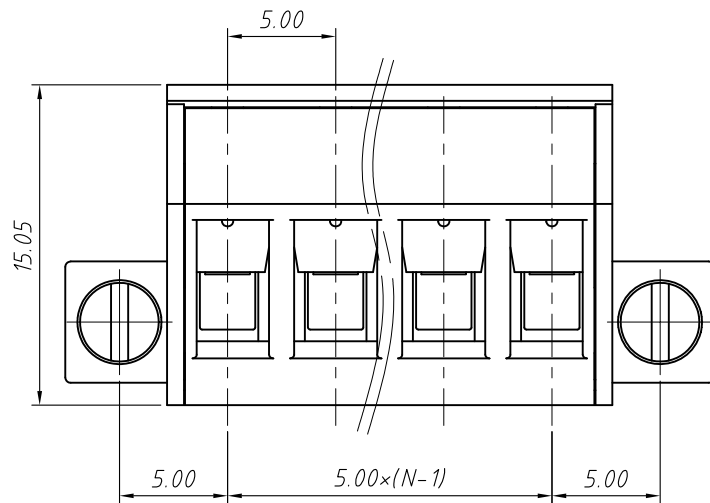


SECTION: A-A



Material
 Housing: PA66, UL 94V-0
 Wire guard: Brass, Ni plated
 Clamp: Phosphor bronze, Ni plated
 Screws: M3.0, Steel, Zn plated

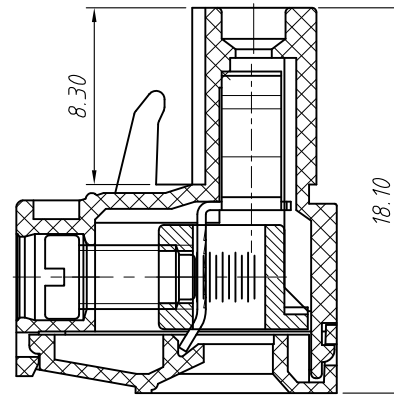
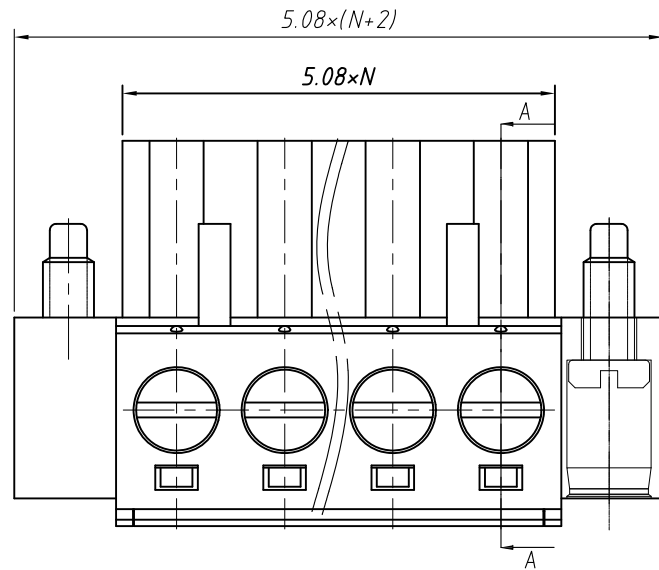
Electrical
 Rated voltage: 300V
 Rated current: 15A
 Contact Resistance: 20 mΩ
 Insulation resistance: 500MΩ/DC500V
 Withstand voltage: AC2000V / 1 min
 Wire Range: 28 ~ 14AWG 1.5mm²

Mechanical
 Temp. Range: -40 °C ~ +105 °C
 Strip length: 7 ~ 8mm
 Torque: 0.5Nm (4.5Lbin)

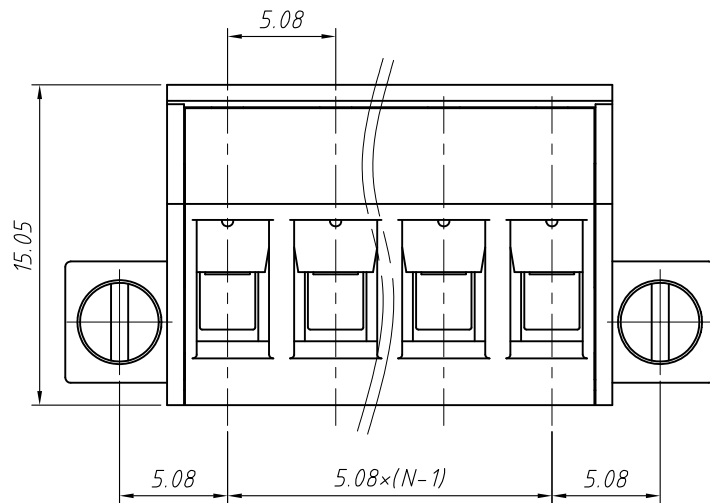
Order Information

L-KLS2-EDCKM-5.00-XXP-4S00
 RoHS
 Terminal Block
 Pitch
 No.: of Pole
 Color: 4- Green
 Screw: S-Slot Screw C-Cross Screw
 Product Code: 00 ~ 99

GENERAL TOLERANCE		ANGLE TOLERANCE		Description:	
X. ±0.60		X. ±5°		Pluggable Terminal Block 5.00 MM	
.X ±0.38		.X ±3°		KLS P/N:	KLS2-EDCKM-5.00-XXP-4S-00
.XX ±0.25		.XX ±2°			
Draw by	2015-09-01	PROJECTION		NingBo KLS ELECTRONIC CO.,L TD.	
Check by	2015-09-15	UNITS	mm		
SCALE		SHEET SIZE	A4		



SECTION: A-A



Material
Housing: PA66, UL 94V-0
Wire guard: Brass, Ni plated
Clamp: Phosphor bronze, Ni plated
Screws: M3.0, Steel, Zn plated

Electrical
Rated voltage: 300V
Rated current: 15A
Contact Resistance: 20 mΩ
Insulation resistance: 500MΩ/DC500V
Withstand voltage: AC2000V / 1 min
Wire Range: 28 ~ 14AWG 1.5mm²

Mechanical
Temp. Range: -40 °C ~ +105 °C
Strip length: 7 ~ 8mm
Torque: 0.5Nm (4.5Lbin)

Order Information

L-KLS2-EDCKM-5.08-XXP-4S00

RoHS
Terminal Block
Pitch
No.: of Pole
Color: 4- Green
Screw: S-Slot Screw C-Cross Screw
Product Code: 00 ~ 99

GENERAL TOLERANCE		ANGLE TOLERANCE		Description:
X. ±0.60		X. ±5°		Pluggable Terminal Block 5.08 MM
.X ±0.38		.X ±3°		
.XX ±0.25		.XX ±2°		
Draw by	2015-09-01	PROJECTION		KLS P/N: KLS2-EDCKM-5.08-XXP-4S-00
Check by	2015-09-15	UNITS	mm	NingBo KLS ELECTRONIC CO.,L TD.
SCALE		SHEET SIZE	A4	