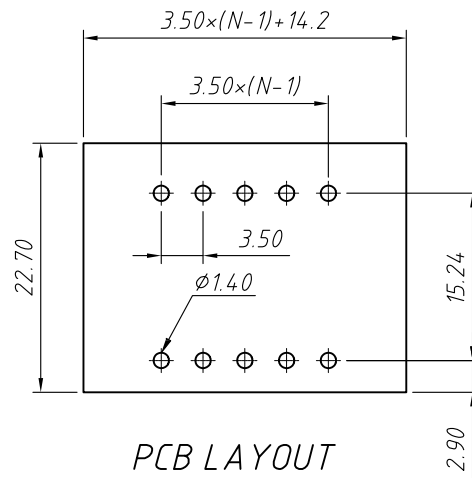
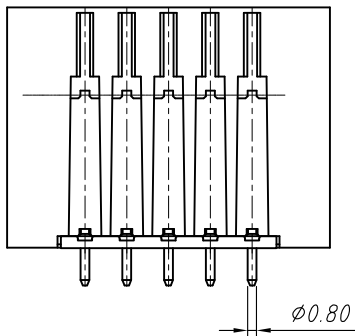


SECTION A-A



PCB LAYOUT

**Material**  
Housing: PA66, UL 94V-0  
Pin header: Brass, Tin plated  
Nut: M2.5, Brass

**Electrical**  
Rated voltage: 300V  
Rated current: 8A  
Contact Resistance: 20 mΩ  
Insulation resistance: 500MΩ/DC500V  
Withstand voltage: AC2000V / 1 min

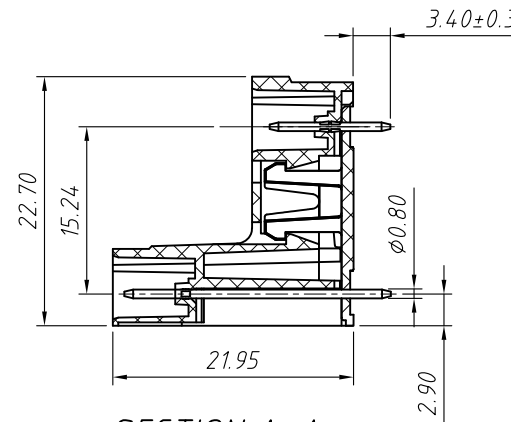
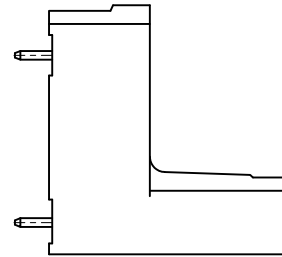
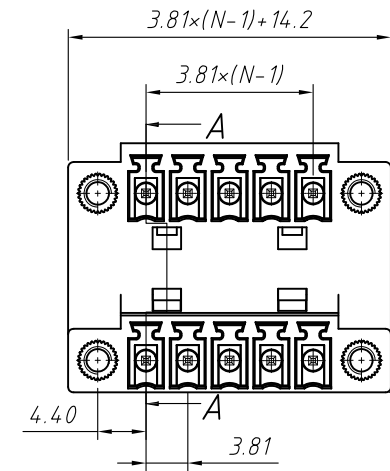
**Mechanical**  
Temp. Range: -40 °C ~ +105 °C

**Order Information**

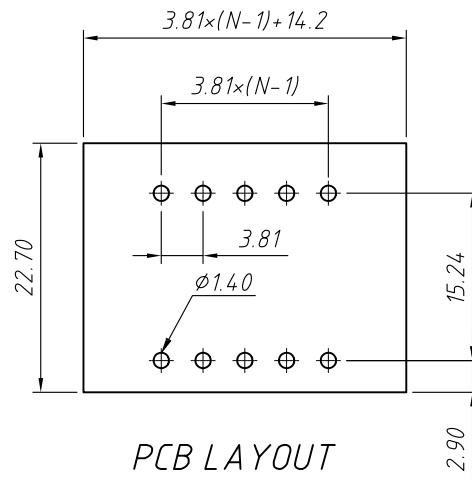
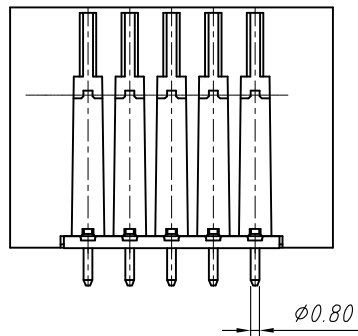
L-KLS2-EDBVM-3.50-XXP-4 S 00

RoHS  
Terminal Block  
Pitch  
No.: of Pole  
Color: 4- Green  
Screw: S-Slot Screw C-Cross Screw  
Product Code: 00~99

GENERAL TOLERANCE		ANGLE TOLERANCE		Description:	
X. ±0.60		X. ±5°		Pluggable Terminal Block 3.5 MM	
.X ±0.38		.X ±3°			
.XX ±0.25		.XX ±2°			
Draw by	2015-09-01	PROJECTION		KLS P/N:	KLS2-EDBVM-3.50-XXP-4S-00
Check by	2015-09-15	UNITS	mm	NingBo KLS ELECTRONIC CO.,L TD.	
SCALE		SHEET SIZE	A4		



SECTION A-A



PCB LAYOUT

**Material**  
**Housing:** PA66, UL 94V-0  
**Pin header:** Brass, Tin plated  
**Nut:** M2.5, Brass

**Electrical**  
**Rated voltage:** 300V  
**Rated current:** 8A  
**Contact Resistance:** 20 mΩ  
**Insulation resistance:** 500MΩ/DC500V  
**Withstand voltage:** AC2000V / 1 min

**Mechanical**  
**Temp. Range:** -40 °C ~ +105 °C

**Order Information**

L-KLS2-EDBVM-3.81-XXP-4 S 00

RoHS  
 Terminal Block  
 Pitch  
 No.: of Pole  
 Color: 4- Green  
 Screw: S-Slot Screw C-Cross Screw  
 Product Code: 00~99

GENERAL TOLERANCE		ANGLE TOLERANCE		Description:	
X. ±0.60		X. ±5°		Pluggable Terminal Block 3.81 MM	
.X ±0.38		.X ±3°			
.XX ±0.25		.XX ±2°		KLS P/N:	KLS2-EDBVM-3.81-XXP-4S-00
Draw by	2015-09-01	PROJECTION			NingBo KLS ELECTRONIC CO.,L TD.
Check by	2015-09-15	UNITS	mm		
SCALE		SHEET SIZE	A4		