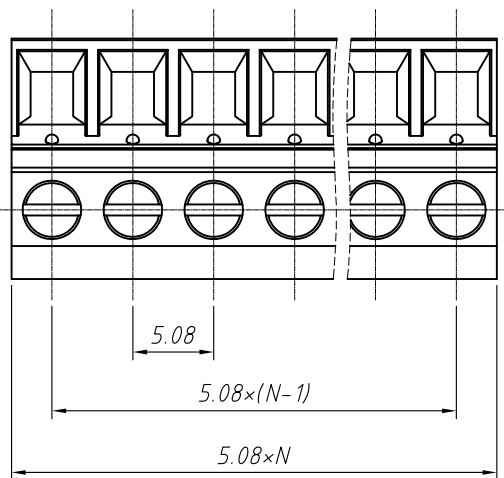


SECTION A-A



**Material**  
 Housing: PA66, UL 94V-0  
 Cage: Steel, Zn plated  
 Screws: M2.5, Steel, Zn plated  
 Slide block: Steel, Zn plated  
 Clamp: Phosphor bronze, Ni plated

**Electrical**  
 Rated voltage: 300V  
 Rated current: 15A  
 Contact Resistance: 20 mΩ  
 Insulation resistance: 500MΩ/DC500V  
 Withstand voltage: AC2000V / 1 min  
 Wire Range: 28 ~ 14AWG 1.5mm<sup>2</sup>

**Mechanical**  
 Temp. Range: -40 °C ~ +105 °C  
 Strip length: 7 ~ 8mm  
 Torque: 0.54m(3.6Lbin)

**Order Information**

L-KLS2-EDKC-5.08-XXP-4 S 00

RoHS  
 Terminal Block  
 Pitch  
 No.: of Pole  
 Color: 4- Green  
 Screw: S-Slot Screw C-Crass Screw  
 Product Code: 00 ~ 99

GENERAL TOLERANCE		ANGLE TOLERANCE		Description:	
X. ±0.60		X. ±5°		Pluggable Terminal Block 5.08 MM	
.X ±0.38		.X ±3°		KLS P/N:	KLS2-EDKC-5.08-XXP-4S-00
.XX ±0.25		.XX ±2°			
Draw by	2015-09-01	PROJECTION		NingBo KLS ELECTRONIC CO.,L TD.	
Check by	2015-09-15	UNITS	mm		
SCALE		SHEET SIZE	A4		