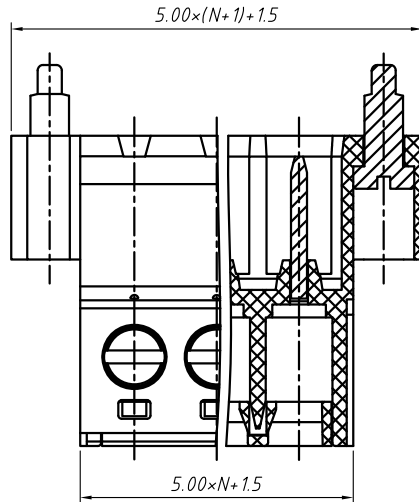


SECTION: A-A



SECTION: B-B

**Material**  
 Housing: PA66, UL94V-0  
 Screws: M3.0, Steel, Zinc plated  
 Pin header: Brass, Tin plated  
 Clamp: Brass, Ni plated

**Electrical**  
 Rated voltage: 300V  
 Rated current: 15A  
 Contact Resistance: 20 mΩ  
 Insulation resistance: 500MΩ/DC500V  
 Withstand voltage: AC2000V / 1 min  
 Wire range: 28-14 AWG 2.5mm<sup>2</sup>

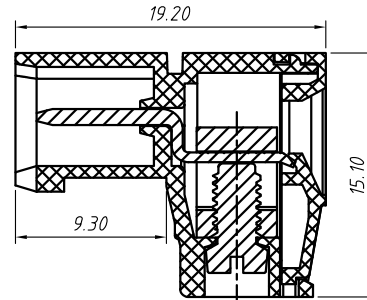
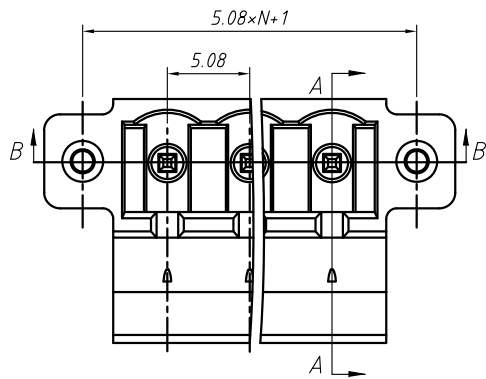
**Mechanical**  
 Torque: 0.4Nm (3.6Lb.in)  
 Strip length: 7-8mm  
 Temp. Range: -40 °C - + 105 °C

**Order Information**

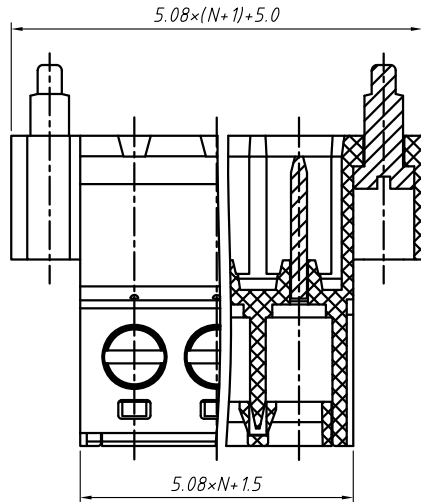
L-KLS2-DGNKR-5.00-XXP-4 S 00

RoHS  
 Terminal Block  
 Pitch  
 No.: of Pole  
 Color: 4- Green  
 Screw: S-Slot Screw C-Cross Screw  
 Product Code: 00~99

GENERAL TOLERANCE		ANGLE TOLERANCE		Description:	
X. ±0.60		X. ±5°		Pluggable Terminal Block 5.00MM	
.X ±0.38		.X ±3°			
.XX ±0.25		.XX ±2°			
Draw by	2015-09-01	PROJECTION		KLS P/N:	KLS2-DGNKR-5.00-XXP-4S-00
Check by	2015-09-15	UNITS	mm	NingBo KLS ELECTRONIC CO.,L TD.	
SCALE		SHEET SIZE	A4		



SECTION: A-A



SECTION: B-B

**Material**  
 Housing: PA66, UL94V-0  
 Screws: M3.0, Steel, Zinc plated  
 Pin header: Brass, Tin plated  
 Clamp: Brass, Ni plated

**Electrical**  
 Rated voltage: 300V  
 Rated current: 15A  
 Contact Resistance: 20 mΩ  
 Insulation resistance: 500MΩ/DC500V  
 Withstand voltage: AC2000V / 1 min  
 Wire range: 28-14 AWG 2.5mm<sup>2</sup>

**Mechanical**  
 Torque: 0.4Nm (3.6Lb.in)  
 Strip length: 7-8mm  
 Temp. Range: -40 °C - + 105 °C

**Order Information**

L-KLS2-DGNKR-5.08-XXP-4 S 00

RoHS  
 Terminal Block  
 Pitch  
 No.: of Pole  
 Color: 4- Green  
 Screw: S-Slot Screw C-Cross Screw  
 Product Code: 00~99

GENERAL TOLERANCE		ANGLE TOLERANCE		Description:	
X. ±0.60		X. ±5°		Pluggable Terminal Block 5.08MM	
.X ±0.38		.X ±3°			
.XX ±0.25		.XX ±2°			
Draw by	2015-09-01	PROJECTION		KLS P/N:	KLS2-DGNKR-5.08-XXP-4S
Check by	2015-09-15	UNITS	mm		NingBo KLS ELECTRONIC CO.,L TD.
SCALE		SHEET SIZE	A4		