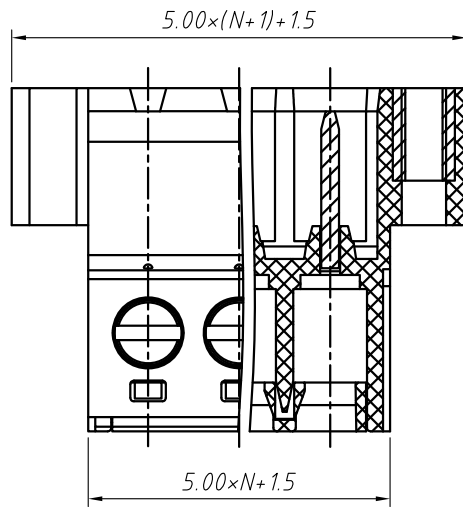


SECTION A-A



SECTION B-B

Material  
 Housing: PA66, UL94V-0  
 Screws: M3 Steel, Zinc plated  
 Pin header: Brass, Tin plated  
 Wire guard: Brass, Ni plated


Electrical  
 Rated voltage: 300V  
 Rated current: 15A  
 Contact Resistance: 20 mΩ  
 Insulation resistance: 500MΩ/DC500V  
 Withstand voltage: AC2000V / 1 min  
 Wire range: 28-14 AWG 2.5mm<sup>2</sup>

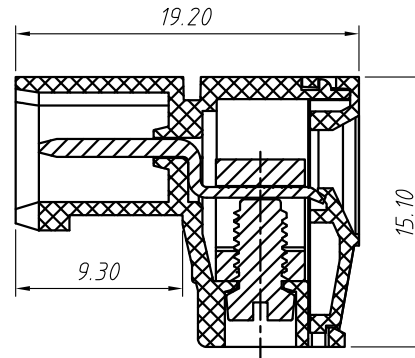
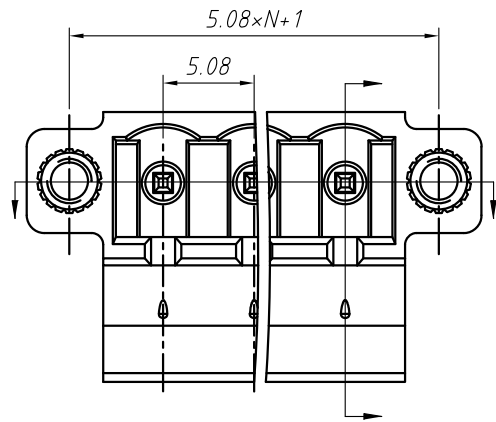
Mechanical  
 Torque: 0.4Nn(3.6Lb.in)  
 Steip Length: 7mm  
 Temp. Range: -40 °C - + 105 °C

Order Information

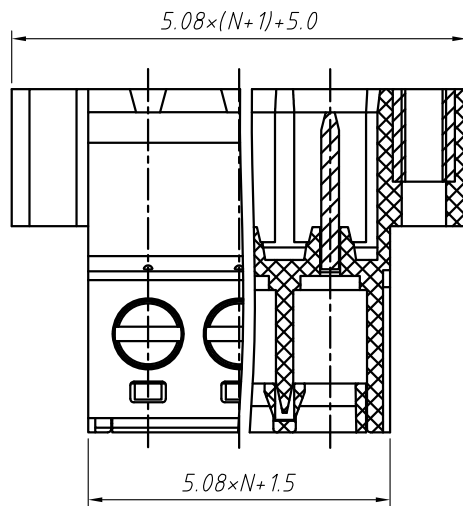
L-KLS2-DGKM-5.00-XXP-4 S 00

RoHS  
 Terminal Block  
 Pitch  
 No.: of Pole  
 Color: 4- Green  
 Screw: S-Slot Screw C-Cross Screw  
 Product Code: 00~99

GENERAL TOLERANCE	ANGLE TOLERANCE	Description:		
X. ±0.60	X. ±5°	Pluggable Terminal Block 5.00MM		
.X ±0.38	.X ±3°	KLS P/N:	KLS2-DGKM-5.00-XXP-4S-00	
.XX ±0.25	.XX ±2°			
Draw by 2015-09-01	PROJECTION		NingBo KLS ELECTRONIC CO.,L TD.	
Check by 2015-09-15	UNITS			mm
SCALE	SHEET SIZE			A4



SECTION A-A



SECTION B-B

Material  
 Housing: PA66, UL94V-0  
 Screws: M3 Steel, Zinc plated  
 Pin header: Brass, Tin plated  
 Wire guard: Brass, Ni plated

Electrical  
 Rated voltage: 300V  
 Rated current: 15A  
 Contact Resistance: 20 mΩ  
 Insulation resistance: 500MΩ/DC500V  
 Withstand voltage: AC2000V / 1 min  
 Wire range: 28-14 AWG 2.5mm<sup>2</sup>

Mechanical  
 Torque: 0.4Nn(3.6Lb.in)  
 Steip Length: 7mm  
 Temp. Range: -40 °C - + 105 °C

Order Information

L-KLS2-DGKM-5.08-XXP-4 S 00

RoHS  
 Terminal Block  
 Pitch  
 No.: of Pole  
 Color: 4- Green  
 Screw: S-Slot Screw C-Cross Screw  
 Product Code: 00~99

GENERAL TOLERANCE		ANGLE TOLERANCE		Description:	
X. ±0.60		X. ±5°		Pluggable Terminal Block 5.08MM	
.X ±0.38		.X ±3°		KLS P/N:	KLS2-DGKM-5.08-XXP-4S-00
.XX ±0.25		.XX ±2°			
Draw by	2015-09-01	PROJECTION			NingBo KLS ELECTRONIC CO.,L TD.
Check by	2015-09-15	UNITS	mm		
SCALE		SHEET SIZE	A4		