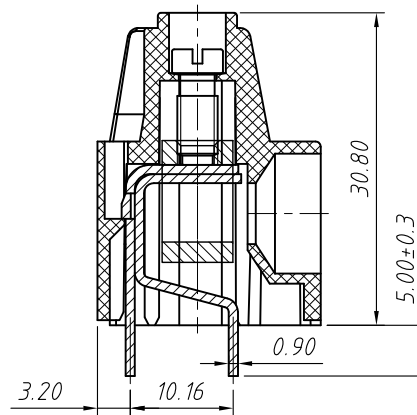
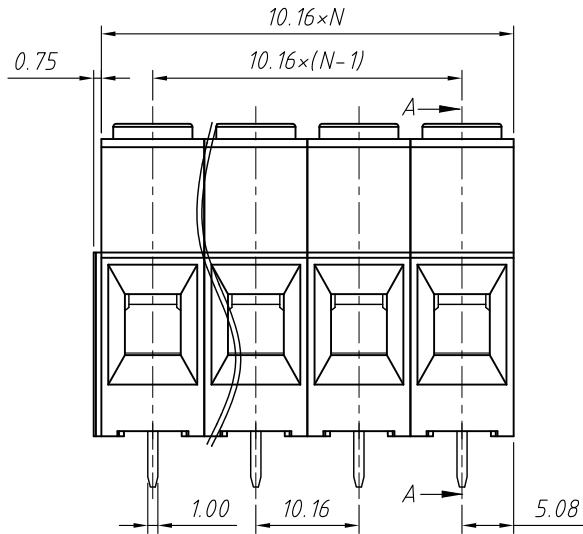


PCB LAYOUT



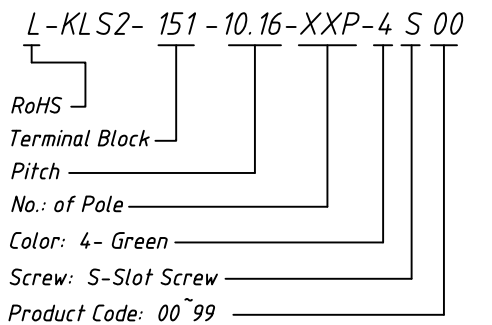
SECTION A-A

Material
Housing: PA66, UL 94 V-0
Clamp: Brass, Ni plated
Pin Header: Brass, Tin plated
Screw: M4.0, steel Zinc plated

Electrical
Rated voltage: 300V
Rated current: 60A
Contact Resistance: 20 mΩ
Insulation resistance: 500MΩ/DC500V
Withstand voltage: AC3000V / 1 min
Wire Range: 20~6AWG 10mm²

Mechanical
Temp. Range: -40 °C ~ +105 °C
Strip length: 10~11mm
Torque: 1.2Nm (10.5Lb.in)

Order Information



GENERAL TOLERANCE		ANGLE TOLERANCE		Description:	
X. ±0.60		X. ±5°		Screw CONN TERM Block 10.16mm	
.X ±0.38		.X ±3°		KLS P/N:	KLS2-151-10.16-XXP-4S
.XX ±0.25		.XX ±2°			
Draw by	2015-09-01	PROJECTION		NingBo KLS ELECTRONIC CO.,L TD.	
Check by	2015-09-15	UNITS	mm		
SCALE		SHEET SIZE	A4		