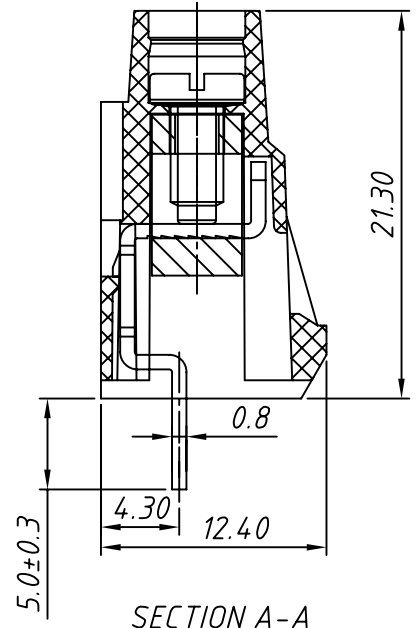
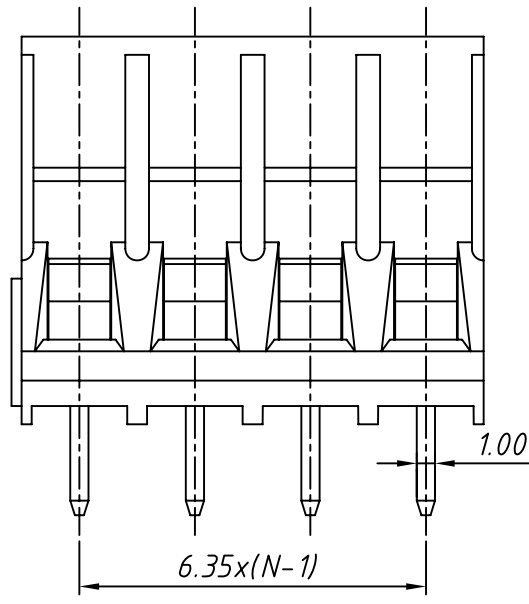


PCB LAYOUT



SECTION A-A

**Material**  
 Screw: M3.0, steel, Zn plated  
 Cage: Brass, Nickel plated  
 Pin header: Brass, Tin plated  
 Housing: PA66, UL94V-0, Green

**Electrical**  
 Rated voltage: 300V  
 Rated current: 30A  
 Wire range: 24 ~ 10AWG 4mm<sup>2</sup>  
 Contact Resistance: 20 mΩ  
 Insulation resistance: 500MΩ/DC1000V  
 Withstand voltage: AC2000V / 1 min

**Mechanical**  
 Temp. Range: -40 °C ~ +105 °C  
 Soldering: 250 °C 5Sec. Max.  
 Torque: 0.5 Nm (4.43 Lb.) in  
 Strip length: 6 ~ 7 mm

**Order Information**

L-KLS2-136-6.35-XXP-4 S XX  
 RoHS  
 Terminal Block  
 Pitch  
 No. of Pole  
 Color: 4- Green  
 Screw: S- Slot Screw C- Cross Screw  
 Code: Product Code: 00 ~ 99

GENERAL TOLERANCE	ANGLE TOLERANCE	PROJECTION	Description:
X. ±0.60	X. ±5°	UNITS	Screw CONN TERM BLOCK 6.35MM
.X ±0.38	.X ±3°	SHEET SIZE	
.XX ±0.25	.XX ±2°	KLS P/N:	
Draw by: Date		2015-09-01	
Check by: Date		2015-09-15	
SCALE	SHEET	OF	KLS2-136-6.35-XXP-4S

KLS ELECTRONIC CO., LTD.