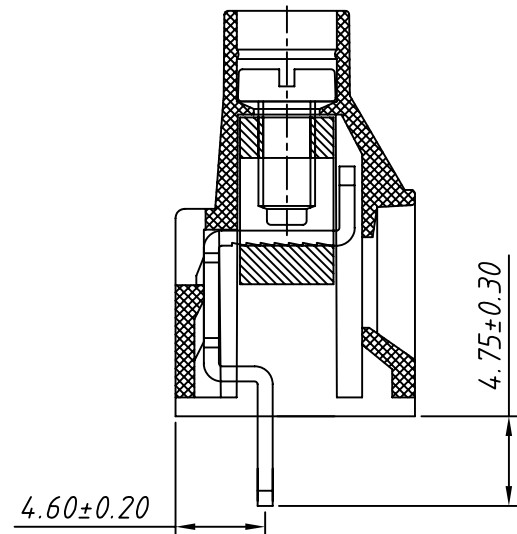
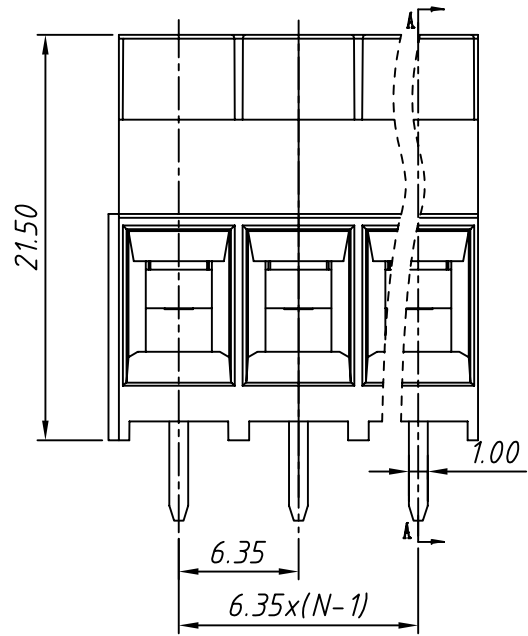


PCB LAYOUT

Material
 Screw: M3.0, steel, Zn plated
 Cage: Brass, Nickel plated
 Pin header: Brass, Tin plated
 Housing: PA66, UL94V-0, Green

Electrical
 Rated voltage: 300V
 Rated current: 30A
 Wire range: 24 ~ 10AWG 4mm²
 Contact Resistance: 20 mΩ
 Insulation resistance: 500MΩ/DC1000V
 Withstand voltage: AC2000V / 1 min



SECTION A-A

Mechanical
 Temp. Range: -40 °C ~ +105 °C
 Soldering: 250 °C 5Sec. Max.
 Torque: 0.5 Nm (4.43 Lb.) in
 Strip length: 6 ~ 7 mm

Order Information

L-KLS2-135-6.35-XXP-4 S XX
 RoHS
 Terminal Block
 Pitch
 No. of Pole
 Color: 4- Green
 Screw: S- Slot Screw C- Cross Screw
 Code: Product Code: 00 ~ 99

GENERAL TOLERANCE		ANGLE TOLERANCE		PROJECTION	Description:
X. ±0.60	.X ±0.38	.X ±5°	.X ±3°	UNITS	Screw CONN TERM BLOCK 6.35MM
.XX ±0.25	.XX ±2°	.XX ±2°	.XX ±2°	SHEET SIZE	
				KLS P/N:	KLS2-135-6.35-XXP-4S

Draw by: Date	2015-09-01
Check by: Date	2015-09-15
SCALE	SHEET OF

KLS ELECTRONIC CO., LTD.