

PCB LAYOUT

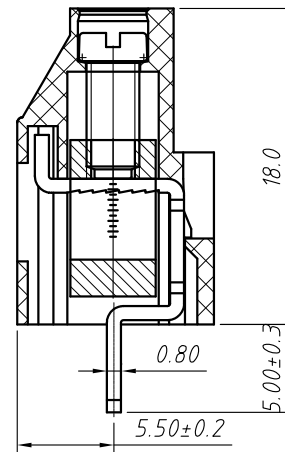
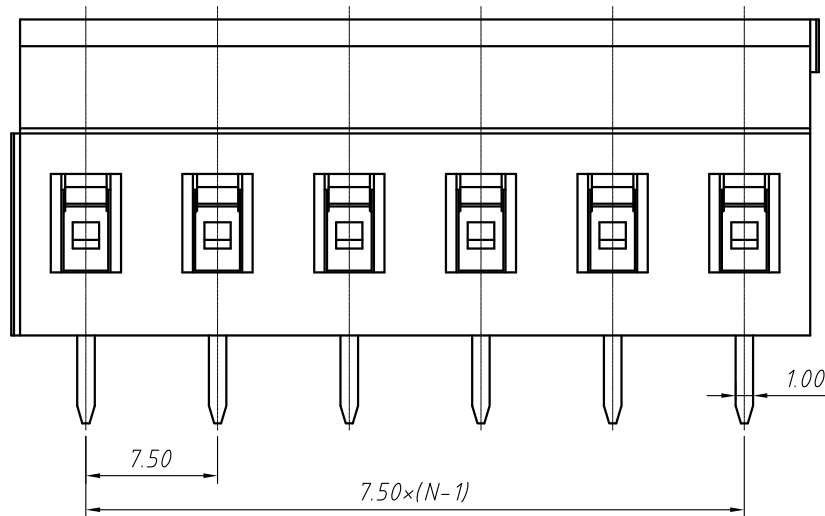
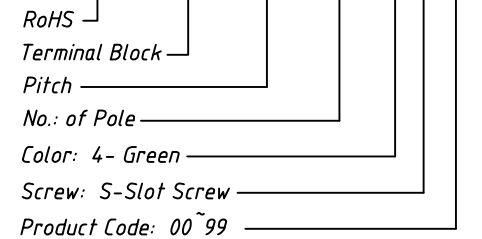
Material
Housing: PA66, UL94V-0
Clamp: Brass, Ni plated
Pin Header: Brass, Tin plated
Screw: M3.0, steel Zinc plated

Electrical
Rated voltage: 300V
Rated current: 20A
Contact Resistance: 20 mΩ
Insulation resistance: 500MΩ/DC500V
Withstand voltage: AC2000V / 1min
Wire Range: 26~12AWG 2.5mm²

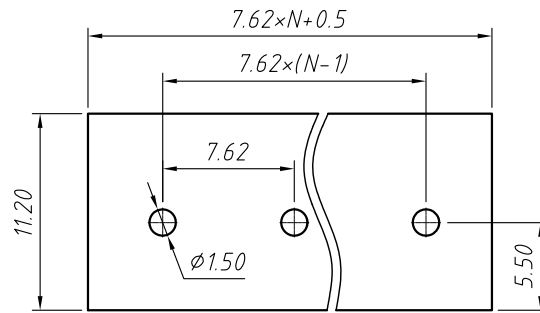
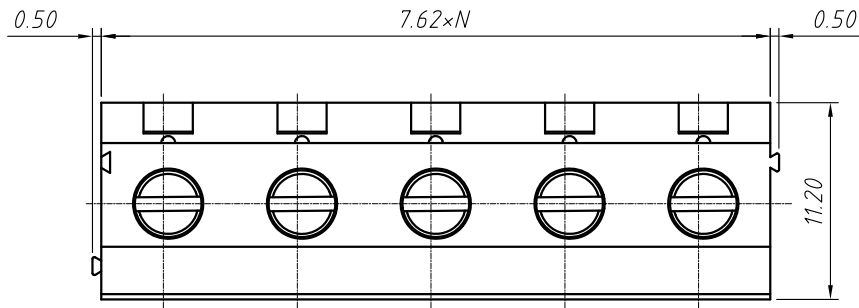
Mechanical
Temp. Range: -40 °C ~ +105 °C
Strip length: 6~7mm
Torque: 0.5Nm (4.5Lb.in)

Order Information

L-KLS2-130-7.50-XXP-4 S 00



GENERAL TOLERANCE		ANGLE TOLERANCE		Description:	
X. ±0.60		X. ±5°		Screw CONN TERM Block 7.50mm	
.X ±0.38		.X ±3°		KLS P/N:	KLS2-130-7.50-XXP-4S
.XX ±0.25		.XX ±2°			
Draw by	2015-09-01	PROJECTION		NingBo KLS ELECTRONIC CO.,L TD.	
Check by	2015-09-15	UNITS	mm		
SCALE		SHEET SIZE	A4		



PCB LAYOUT

Material

Housing: PA66, UL94V-0
 Clamp: Brass, Ni plated
 Pin Header: Brass, Tin plated
 Screw: M3.0, steel Zinc plated

Electrical

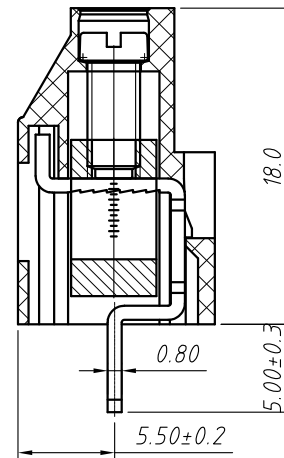
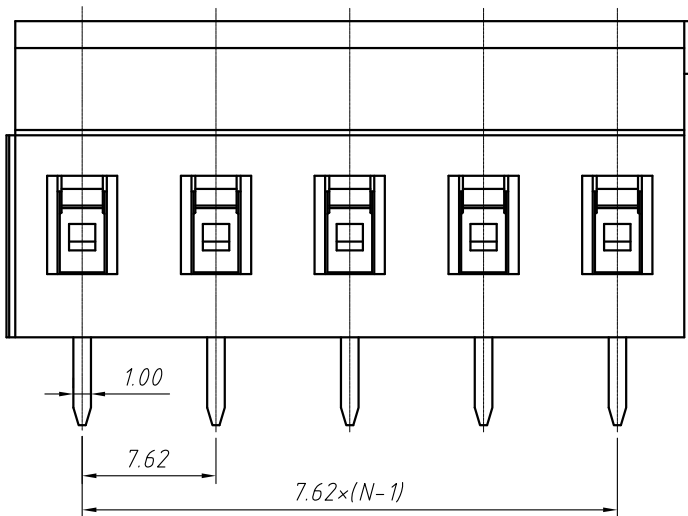
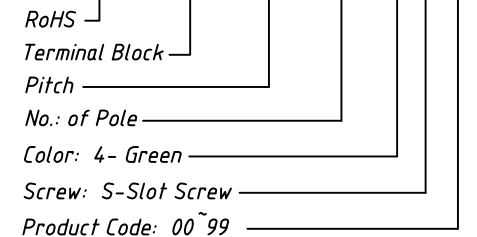
Rated voltage: 300V
 Rated current: 20A
 Contact Resistance: 20 mΩ
 Insulation resistance: 500MΩ/DC500V
 Withstand voltage: AC2000V / 1min
 Wire Range: 26~12AWG 2.5mm²

Mechanical

Temp. Range: -40 °C ~ +105 °C
 Strip length: 6~7mm
 Torque: 0.5Nm (4.5Lb.in)

Order Information

L-KLS2-130-7.62-XXP-4S00



GENERAL TOLERANCE		ANGLE TOLERANCE		Description:	
X. ±0.60		X. ±5°		Screw CONN TERM Block 7.62mm	
.X ±0.38		.X ±3°		KLS P/N:	KLS2-130-7.62-XXP-4S
.XX ±0.25		.XX ±2°			
Draw by	2015-09-01	PROJECTION		NingBo KLS ELECTRONIC CO.,LTD.	
Check by	2015-09-15	UNITS	mm		
SCALE		SHEET SIZE	A4		