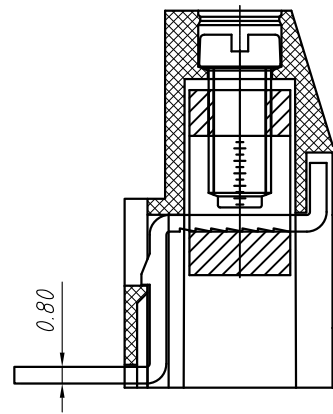
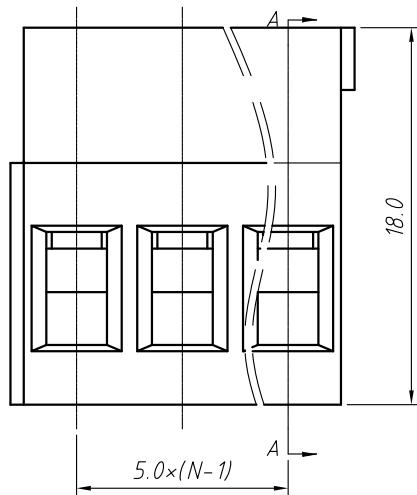


PCB LAYOUT



SECTION A-A

Material
Housing: PA66, UL94V-0
Clamp: Brass, Ni plated
Pin Header: Brass, Tin plated
Screw: M3.0, steel Zinc plated

Electrical
Rated voltage: 300V
Rated current: 20A
Contact Resistance: 20 mΩ
Insulation resistance: 500MΩ/DC500V
Withstand voltage: AC2000V / 1 min
Wire Range: 26~12AWG 2.5mm²

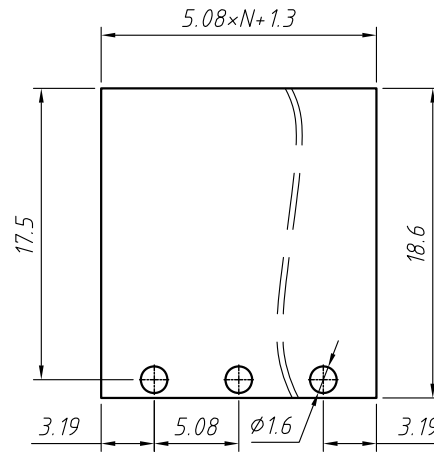
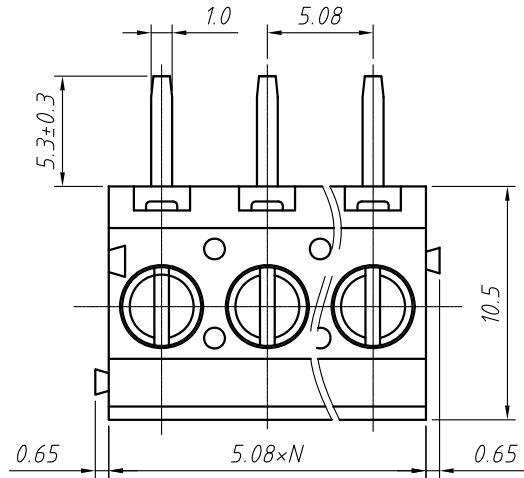
Mechanical
Temp. Range: -40 °C ~ +105 °C
Strip length: 6~7mm
Torque: 0.5Nm (4.5Lb.in)

Order Information

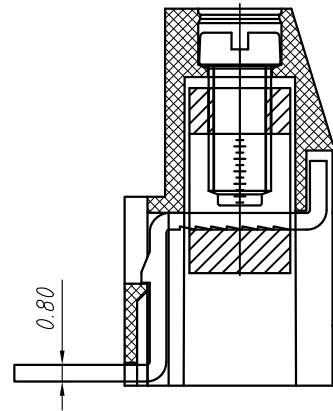
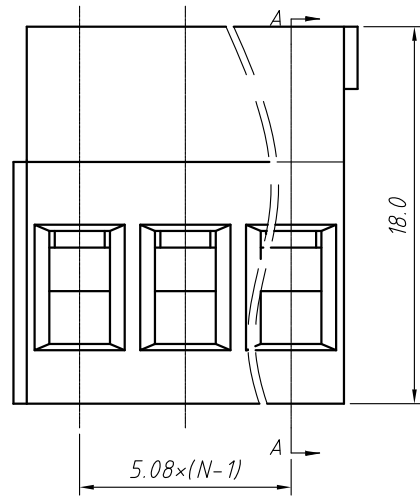
L-KLS2-129R-5.00-XXP-4 S 00

RoHS
Terminal Block
Pitch
No. of Pole
Color: 4- Green
Screw: S-Slot Screw
Product Code: 00~99

| GENERAL TOLERANCE | | ANGLE TOLERANCE | | Description: | |
|-------------------|------------|-----------------|----|---------------------------------|-----------------------|
| X. ±0.60 | | X. ±5° | | Screw CONN TERM Block 5.00mm | |
| .X ±0.38 | | .X ±3° | | KLS P/N: | KLS2-129R-5.00-XXP-4S |
| .XX ±0.25 | | .XX ±2° | | | |
| Draw by | 2015-09-01 | PROJECTION | | NingBo KLS ELECTRONIC CO.,L TD. | |
| Check by | 2015-09-15 | UNITS | mm | | |
| SCALE | | SHEET SIZE | A4 | | |



PCB LAYOUT



SECTION A-A

Material
Housing: PA66, UL94V-0
Clamp: Brass, Ni plated
Pin Header: Brass, Tin plated
Screw: M3.0, steel Zinc plated

Electrical
Rated voltage: 300V
Rated current: 20A
Contact Resistance: 20 mΩ
Insulation resistance: 500MΩ/DC500V
Withstand voltage: AC2000V / 1 min
Wire Range: 26 ~ 12AWG 2.5mm²

Mechanical
Temp. Range: -40 °C ~ +105 °C
Strip length: 6 ~ 7mm
Torque: 0.5Nm (4.5Lb.in)

Order Information

L-KLS2-129R-5.08-XXP-4 S 00

RoHS
Terminal Block
Pitch
No. of Pole
Color: 4- Green
Screw: S-Slot Screw
Product Code: 00 ~ 99

| GENERAL TOLERANCE | | ANGLE TOLERANCE | | Description: | |
|-------------------|------------|-----------------|----|------------------------------|---------------------------------|
| X. ±0.60 | | X. ±5° | | Screw CONN TERM Block 5.08mm | |
| .X ±0.38 | | .X ±3° | | KLS P/N: | KLS2-129R-5.08-XXP-4S |
| .XX ±0.25 | | .XX ±2° | | | |
| Draw by | 2015-09-01 | PROJECTION | | | NingBo KLS ELECTRONIC CO.,L TD. |
| Check by | 2015-09-15 | UNITS | mm | | |
| SCALE | | SHEET SIZE | A4 | | |