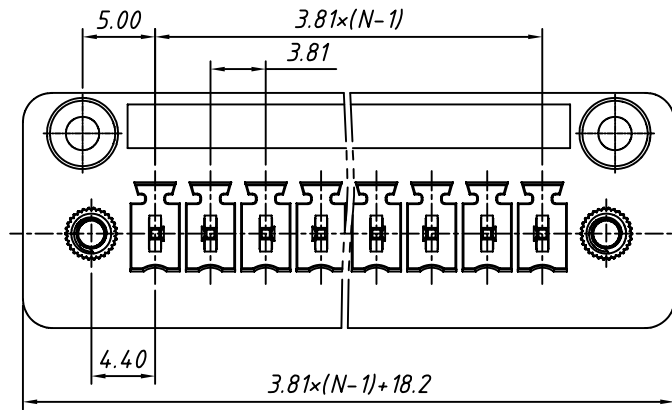


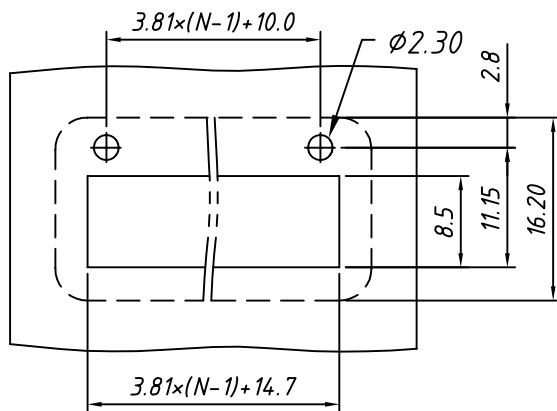
SECTION A-A



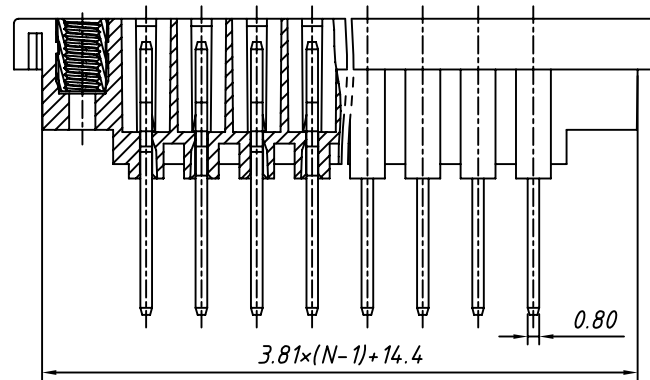
Material
 Housing: PA66, UL 94V-0
 Pin header: Brass, Tin plated
 Nut: M2.5, Brass

Electrical
 Rated voltage: 300V
 Rated current: 8A
 Contact Resistance: 20 mΩ
 Insulation resistance: 500MΩ/DC500V
 Withstand voltage: AC2000V / 1 min

Mechanical
 Temp. Range: -40 °C ~ +105 °C
 Soldering: 250°C 5Sec. Max.



Panel Mount
 S=0.6:1



Order Information

L-KLS2-EDGM-3.81-XXP-4
 RoHS
 Terminal Block
 Pitch
 No.: of Pole
 Color: 4- Green

GENERAL TOLERANCE		ANGLE TOLERANCE		Description:	
X. ±0.60		X. ±5°		Plug-in TERM BLOCK 3.81MM	
.X ±0.38		.X ±3°			
.XX ±0.25		.XX ±2°		KLS P/N: KLS2-EDGM-3.81-XXP-4	
Draw by 2015-09-01	PROJECTION			KLS ELECTRONIC CO.,LTD.	
Check by 2015-09-15	UNITS				mm
SCALE	SHEET SIZE				A4