

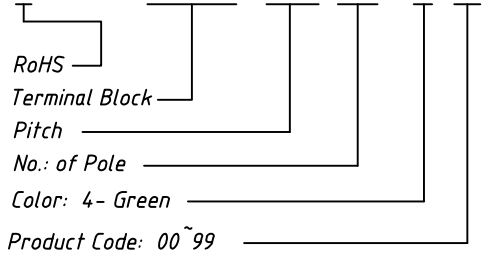
Material  
Housing: PA66, UL94V-0  
Clamp: Phosphor bronze, Tin Plated  
Wire guard: Stainless steel

Electrical  
Rated voltage: 300V  
Rated current: 8A  
Contact Resistance: 20 mΩ  
Insulation resistance: 500MΩ/DC500V  
Withstand voltage: AC2000V / 1 min  
Wire Range: 28~16AWG 1.0mm<sup>2</sup>

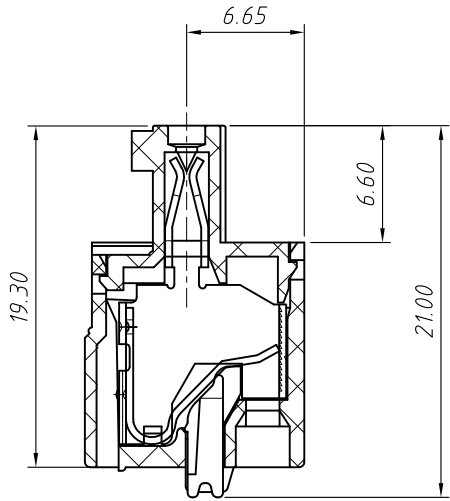
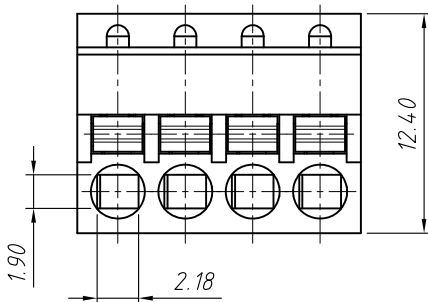
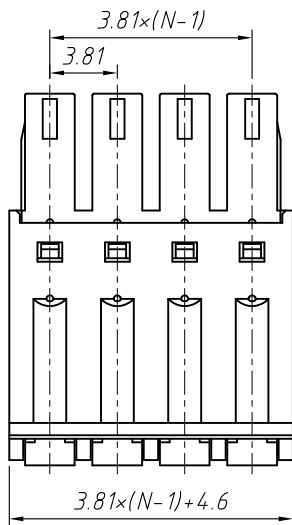
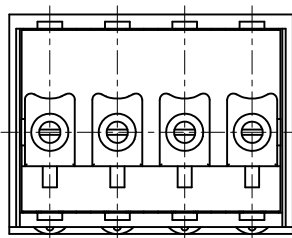
Mechanical  
Temp. Range: -40 °C ~ +105 °C  
Strip length: 7~8 mm  
Torque: 0.4Nm(3.6 bin)

Order Information

L-KLS2- EDGKD -3.50-XXP-4 00



GENERAL TOLERANCE		ANGLE TOLERANCE		Description:							
X. ±0.60	.X ±0.38	.XX ±0.25		X. ±5°	.X ±3°						
				.XX ±2°							
Draw by	2015-09-01	PROJECTION		<table border="1"> <tr> <td>KLS P/N:</td> <td>KLS2-EDGKD-3.50-XXP-4-00</td> </tr> <tr> <td colspan="2" rowspan="2">  NingBo KLS ELECTRONIC CO.,L TD. </td> </tr> <tr> <td>SHEET SIZE</td> <td>A4</td> </tr> </table>		KLS P/N:	KLS2-EDGKD-3.50-XXP-4-00	NingBo KLS ELECTRONIC CO.,L TD.		SHEET SIZE	A4
KLS P/N:	KLS2-EDGKD-3.50-XXP-4-00										
NingBo KLS ELECTRONIC CO.,L TD.											
		SHEET SIZE	A4								
Check by	2015-09-15	UNITS	mm								
SCALE		SHEET SIZE	A4								



Material  
 Housing: PA66, UL94V-0  
 Clamp: Phosphor bronze, Tin Plated  
 Wire guard: Stainless steel

Electrical  
 Rated voltage: 300V  
 Rated current: 8A  
 Contact Resistance: 20 mΩ  
 Insulation resistance: 500MΩ/DC500V  
 Withstand voltage: AC2000V / 1 min  
 Wire Range: 28~16AWG 1.0mm<sup>2</sup>

Mechanical  
 Temp. Range: -40 °C ~ +105 °C  
 Strip length: 7~8 mm  
 Torque: 0.4Nm(3.6 bin)

Order Information

L-KLS2-EDGKD-3.81-XXP-4 00

RoHS  
 Terminal Block  
 Pitch  
 No. of Pole  
 Color: 4- Green  
 Product Code: 00~99

GENERAL TOLERANCE		ANGLE TOLERANCE		Description:	
X. ±0.60	.X ±0.38	.XX ±0.25		X. ±5°	.X ±3°
				.XX ±2°	
Draw by	2015-09-01	PROJECTION		Pluggable Terminal Block 3.81MM	
Check by	2015-09-15	UNITS	mm	KLS P/N:	KLS2-EDGKD-3.81-XXP-4-00
SCALE		SHEET SIZE	A4	NingBo KLS ELECTRONIC CO.,L TD.	