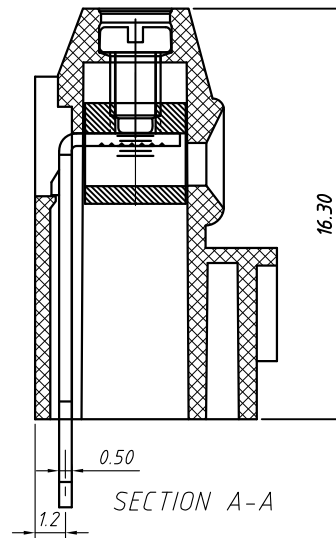
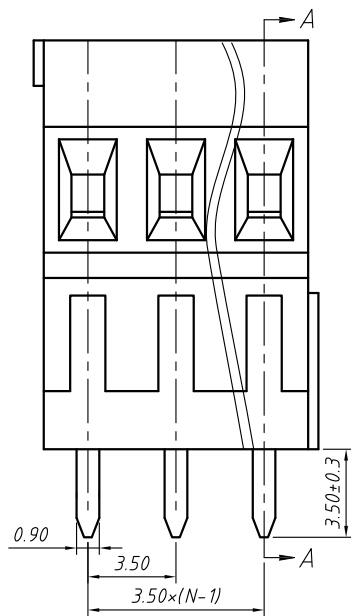


PCB LAYOUT



SECTION A-A

**Material**  
**Housing:** PA66, UL 94V-0  
**Clamp:** Brass, Ni plated  
**Pin Header:** Brass, Tin plated  
**Screw:** M2 steel Zinc plated

**Electrical**  
**Rated voltage:** 300V  
**Rated current:** 10A  
**Contact Resistance:** 20 mΩ  
**Insulation resistance:** 500MΩ/DC500V  
**Withstand voltage:** AC2000V / 1 min  
**Wire Range:** 24 ~ 12AWG 2.5mm<sup>2</sup>

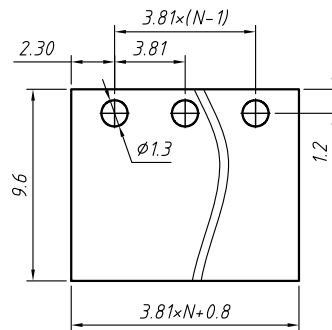
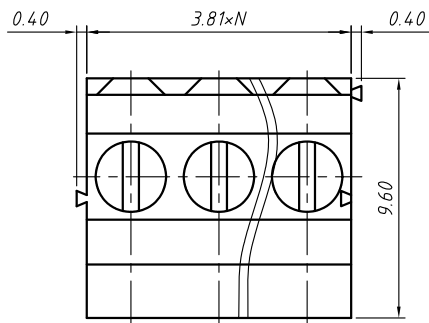
**Mechanical**  
**Temp. Range:** -40 °C ~ +105 °C  
**Strip length:** 5 ~ 6mm  
**Torque:** 0.2Nm (1.75Lb.in)

**Order Information**

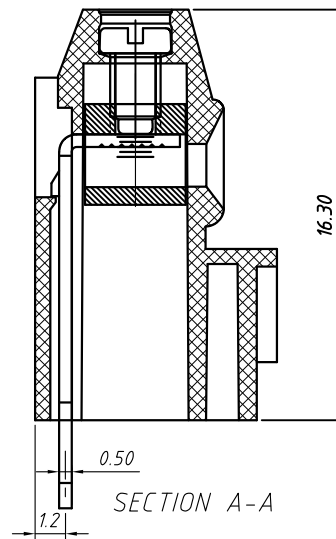
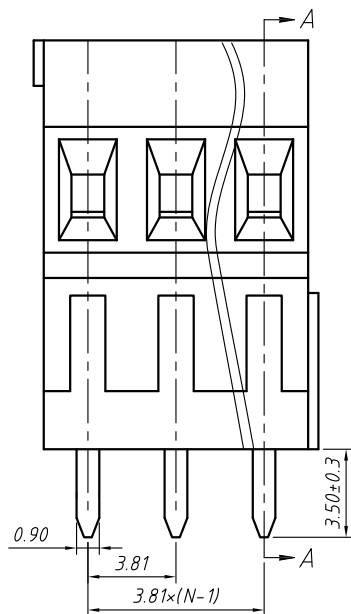
L-KLS2-125H-3.50-XXP-4 S 00

RoHS  
Terminal Block  
Pitch  
No.: of Pole  
Color: 4- Green  
Screw: S-Slot Screw  
Product Code: 00 ~ 99

GENERAL TOLERANCE		ANGLE TOLERANCE		Description:	
X. ±0.60		X. ±5°		Screw CONN TERM Block 3.50mm	
.X ±0.38		.X ±3°		KLS P/N:	KLS2-125H-3.50-XXP-4S
.XX ±0.25		.XX ±2°			
Draw by	2015-09-01	PROJECTION		NingBo KLS ELECTRONIC CO.,L TD.	
Check by	2015-09-15	UNITS	mm		
SCALE		SHEET SIZE	A4		



PCB LAYOUT



SECTION A-A

**Material**  
**Housing:** PA66, UL 94V-0  
**Clamp:** Brass, Ni plated  
**Pin Header:** Brass, Tin plated  
**Screw:** M2 steel Zinc plated

**Electrical**  
**Rated voltage:** 300V  
**Rated current:** 10A  
**Contact Resistance:** 20 mΩ  
**Insulation resistance:** 500MΩ/DC500V  
**Withstand voltage:** AC2000V / 1 min  
**Wire Range:** 24 ~ 12AWG 2.5mm<sup>2</sup>

**Mechanical**  
**Temp. Range:** -40 °C ~ +105 °C  
**Strip length:** 5 ~ 6mm  
**Torque:** 0.2Nm (1.75Lb.in)

**Order Information**

L-KLS2-125H-3.81-XXP-4 S 00

RoHS  
Terminal Block  
Pitch  
No.: of Pole  
Color: 4- Green  
Screw: S-Slot Screw  
Product Code: 00 ~ 99

GENERAL TOLERANCE		ANGLE TOLERANCE		Description:	
X. ±0.60		X. ±5°		Screw CONN TERM Block 3.81mm	
.X ±0.38		.X ±3°		KLS P/N:	KLS2-125H-3.81-XXP-4S
.XX ±0.25		.XX ±2°			
Draw by	2015-09-01	PROJECTION		NingBo KLS ELECTRONIC CO.,L TD.	
Check by	2015-09-15	UNITS	mm		
SCALE		SHEET SIZE	A4		