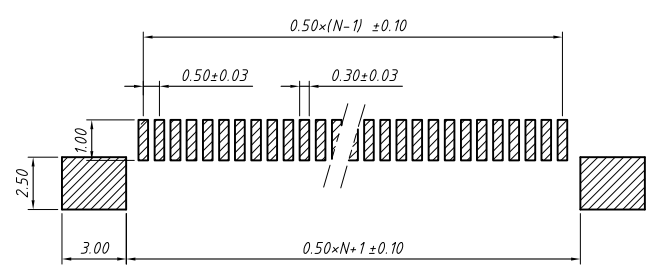


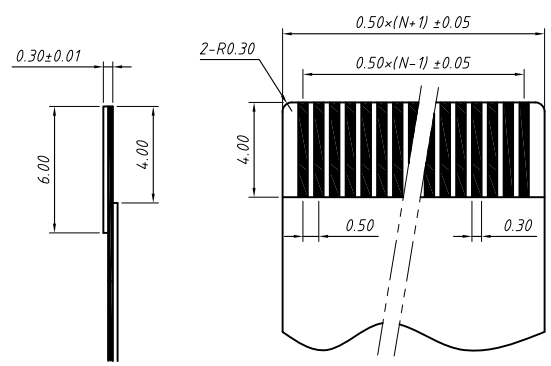
Material
 Housing: LCP UL94V-0
 Terminal: Phosphor Bronze Tin-plated
 Fitting Nial: Phosphor Bronze Tin-plated

Electrical
 Voltage rating: 50 V
 Current rating: 0.4 A
 Withstanding Voltage: 200 V
 Insulation resistance: 500MΩ.Min.
 Contact resistance: 20 mΩ.Max.

Mechanical
 Temp. Range: -25 °C ~ +85 °C



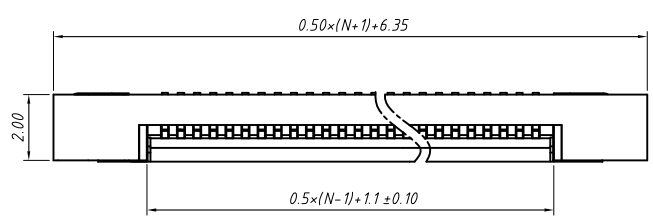
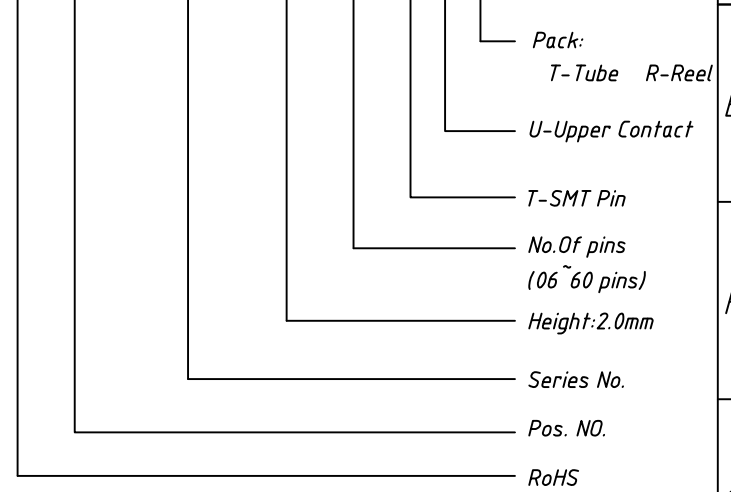
PCB Layout



Proper Cable

Order Information

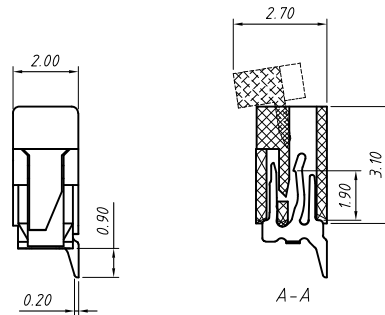
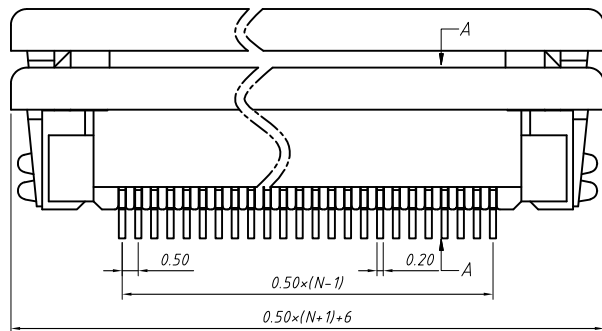
L-KLS1- 2242 - 2.0- XX -T-U-R



| GENERAL TOLERANCE | ANGLE TOLERANCE | PROJECTION | Description: |
|-------------------|-----------------|------------|---|
| X. ±0.15 | X. ±5° | UNITS | CONN FFC 0.50mm,SMD, Horizontal, Upper Contact ,with ZIF |
| .X ±0.03 | .X ±3° | SHEET SIZE | |
| .XX ±0.05 | .XX ±2° | KLS P/N: | |

| | |
|----------------|------------|
| Draw by: Date | 2018-03-10 |
| Check by: Date | 2018-03-10 |
| SCALE | SHEET OF |

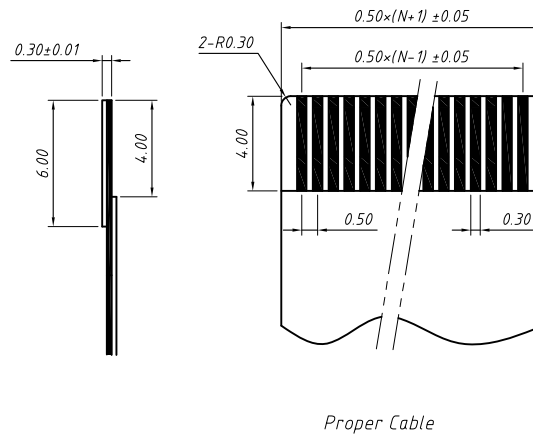
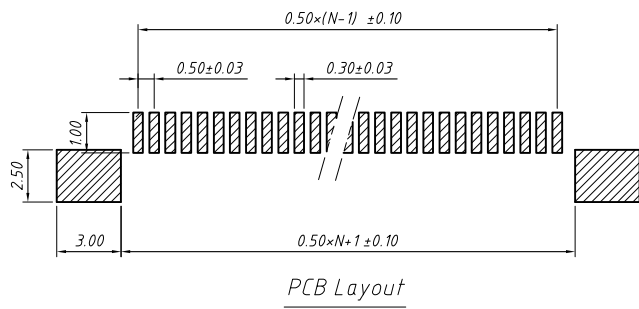
KLS NingBo KLS ELECTRONIC CO.,L TD.



Material
 Housing: LCP UL94V-0
 Terminal: Phosphor Bronze Tin-plated
 Fitting Nial: Phosphor Bronze Tin-plated

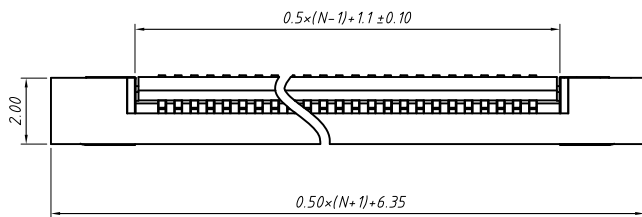
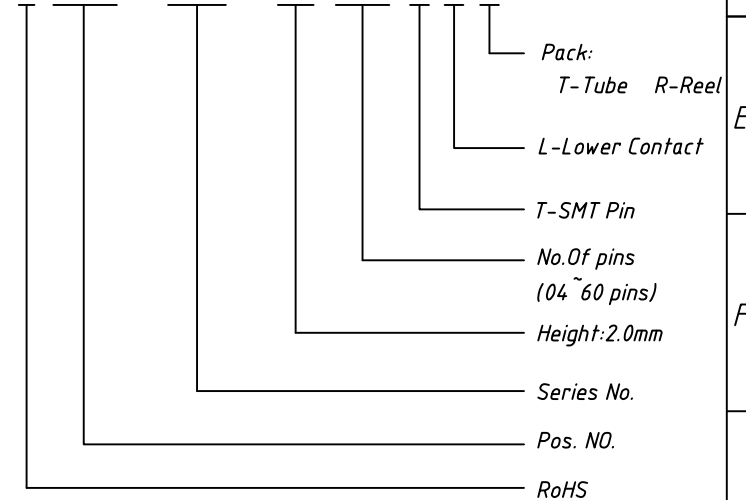
Electrical
 Voltage rating: 50 V
 Current rating: 0.4 A
 Withstanding Voltage: 200 V
 Insulation resistance: 500M Ω .Min.
 Contact resistance: 20 m Ω .Max.

Mechanical
 Temp. Range: -25 °C ~ +85 °C



Order Information

L-KLS1- 2242 - 2.0- XX -T-L-R



| GENERAL TOLERANCE | ANGLE TOLERANCE | PROJECTION | Description: |
|-------------------|-------------------|------------|---|
| X. ± 0.15 | X. $\pm 5^\circ$ | UNITS | CONN FFC 0.50mm,SMD, Horizontal,Lower Contact , with ZIF L-KLS1-2242-2.0-XX-T-L-R |
| .X ± 0.03 | .X $\pm 3^\circ$ | SHEET SIZE | |
| .XX ± 0.05 | .XX $\pm 2^\circ$ | KLS P/N: | |

| | |
|----------------|------------|
| Draw by: Date | 2018-03-10 |
| Check by: Date | 2018-03-10 |
| SCALE | SHEET OF |

KLS
 NingBo KLS ELECTRONIC CO.,LTD.