

1 2 3 4 5 6 7 8

A

A

B

B

C

C

D

D

E

E

F

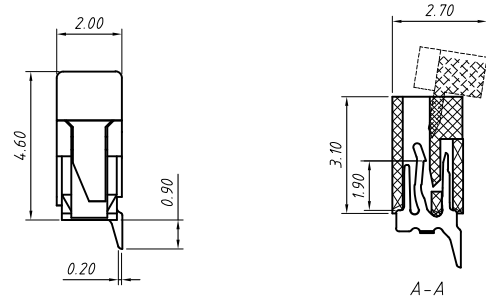
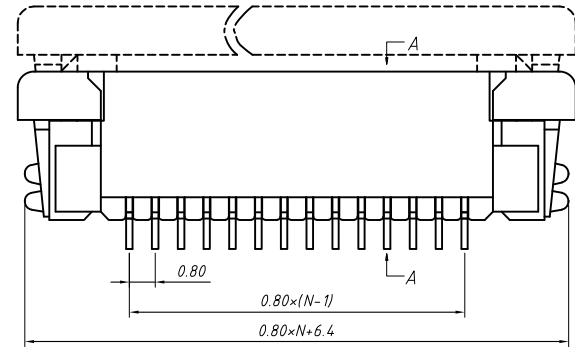
F

G

G

H

H



Material

Housing: LCP UL94V-0

Lock: LCP UL94V-0

Plug spring: Phosphor Bronze,Gold/Tin

Soldering: Phosphor Bronze,Gold/Tin

Electrical

Voltage rating: 50 V

Current Rating: 0.4 A

Withstanding Voltage: 200 V

Insulation resistance: 500MΩ.Min.

Contact resistance: 20 mΩ.Max.

Mechanical

Temp. Range: -25 °C ~ + 85 °C

Order Information

L-KLS1- 241D - XX - T-U-R

RoHS

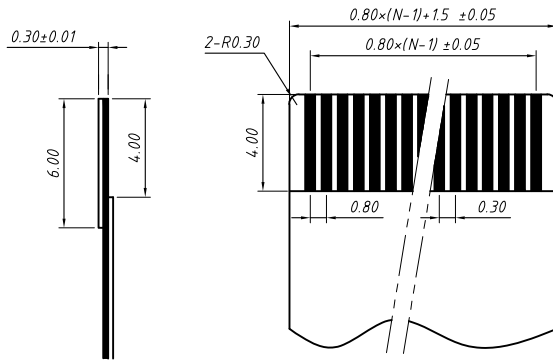
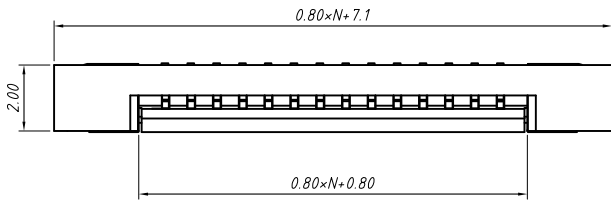
Series No.

No. of pins(04 ~ 40 pins)

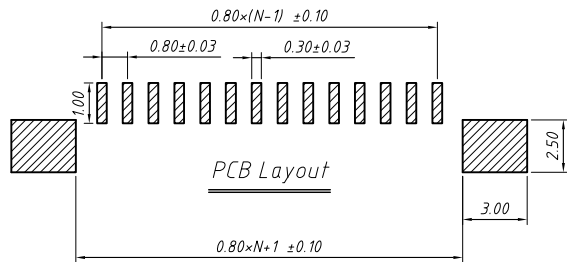
T-SMT Pin

U-Upper Contact

Pack: R-Reel




Recommended FPC Dimension



GENERAL TOLERANCE	ANGLE TOLERANCE	PROJECTION	Description:
X. ±0.15	X. ±5°	UNITS	CONN FFC 0.80mm,SMD, Horizontal,Upper Contact, with ZIF
.X ±0.03	.X ±3°	SHEET SIZE	
.XX ±0.05	.XX ±2°	KLS P/N:	

Draw by: Date	2018-03-10
Check by: Date	2018-03-10
SCALE	SHEET OF



NingBo KLS ELECTRONIC CO.,LTD.

1 2 3 4 5 6 7 8

1 2 3 4 5 6 7 8

A

B

C

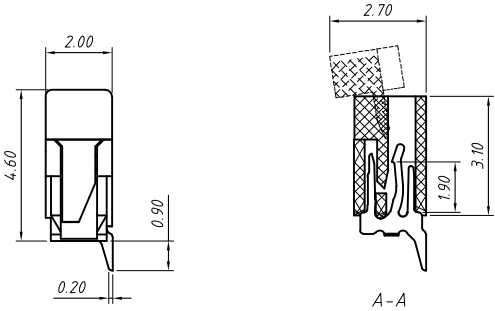
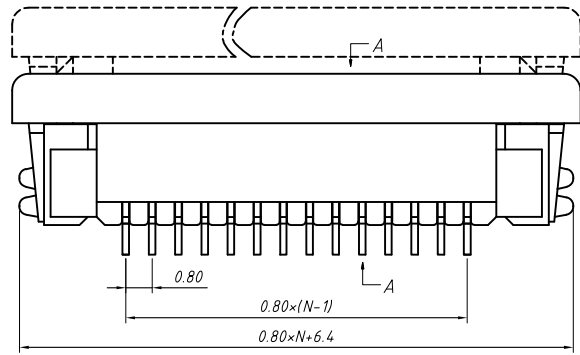
D

E

F

G

H

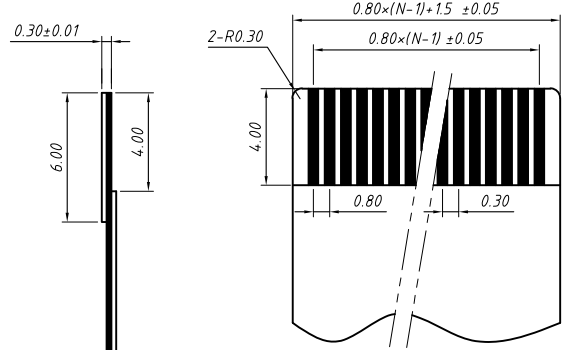
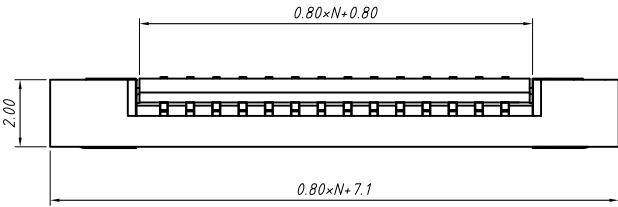
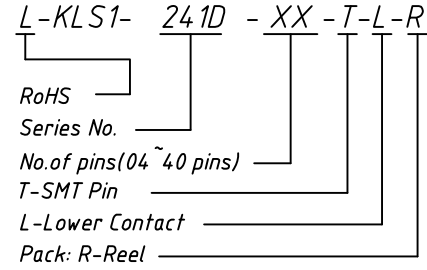


Material
 Housing: LCP UL94V-0
 Lock: LCP UL94V-0
 Plug spring: Phosphor Bronze,Gold/Tin
 Soldering: Phosphor Bronze,Gold/Tin

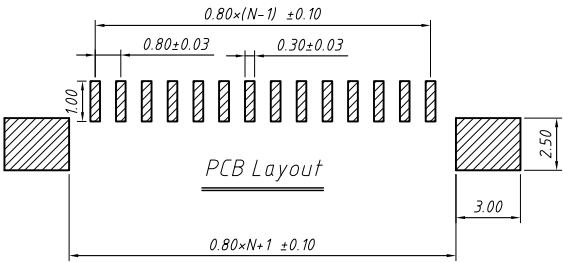
Electrical
 Voltage rating: 50 V
 Current Rating: 0.4 A
 Withstanding Voltage: 200 V
 Insulation resistance: 500MΩ.Min.
 Contact resistance: 20 mΩ.Max.

Mechanical
 Temp. Range: -25 °C ~ + 85 °C

Order Information



Recommended FPC Dimension



GENERAL TOLERANCE		ANGLE TOLERANCE		PROJECTION		Description:	
X.	±0.15	X.	±5°	UNITS	mm	CONN FFC 0.80mm,SMD, Horizontal,Lower Contact , with ZIF L-KLS1-241D-XX-T-L-R	
.X	±0.03	.X	±3°	SHEET SIZE	A4		
.XX	±0.05	.XX	±2°		KLS P/N:		

Draw by: Date	2018-03-10
Check by:: Date	2018-03-10
SCALE	SHEET OF

1 2 3 4 5 6 7 8