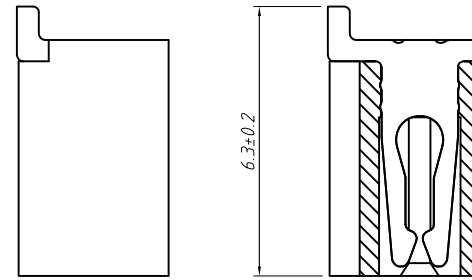
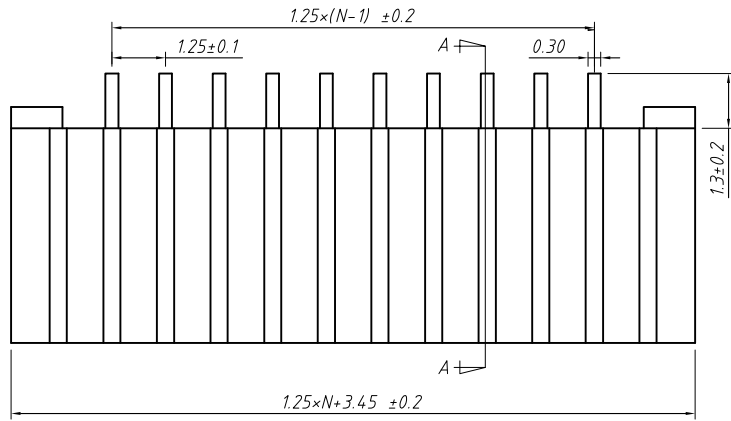


RoHS Compliant



Material
 Housing: LCP, UL 94 V-0
 Contact: Phosphor Bronze, Tin plated

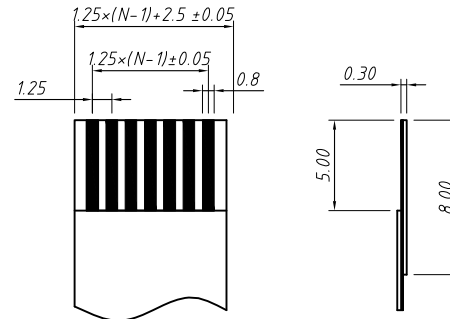
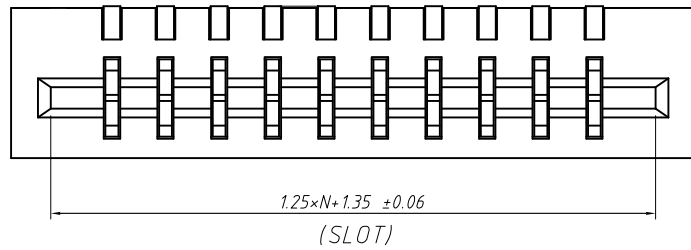
Electrical
 Voltage rating: 50 V
 Current rating: 0.5 A
 Withstanding Voltage: 500 V
 Insulation resistance: 800M Ω .Min.
 Contact resistance: 40 m Ω .max.

Mechanical
 Temp. Range: -25 °C ~ +85 °C

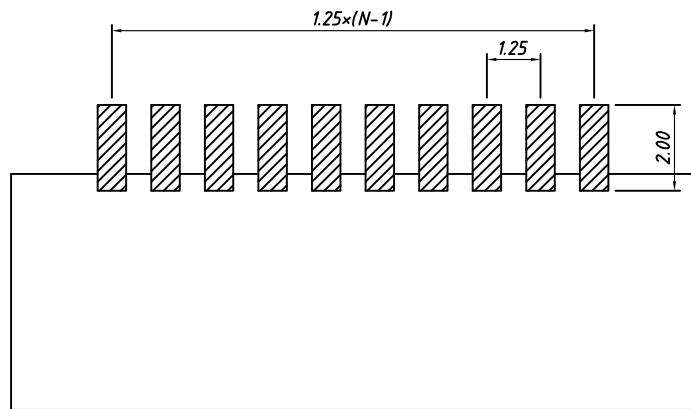
Order Information

L-KLS1- 220F - XX - T-R

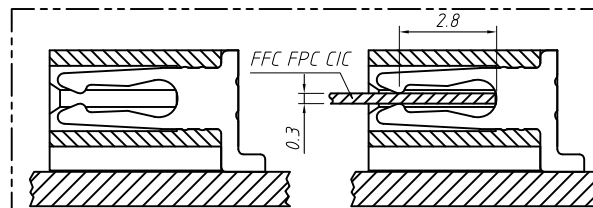
RoHS
 Series No.
 No. of pins (04 ~ 33 pins)
 T-SMT Pin
 Packing: T-Tube R-Reel



Proper Cable



PCB LAYOUT



GENERAL TOLERANCE	ANGLE TOLERANCE	PROJECTION		Description:
.X ±0.15	.X ±5°	UNITS	mm	CONN FFC 1.25mm SMD Horizontal L-KLS1-220F-XX-T-R
.X ±0.03	.X ±3°	SHEET SIZE	A4	
.XX ±0.05	.XX ±2°		KLS P/N:	

Draw by: Date 2018-03-10
 Check by: Date 2018-03-10
 SCALE SHEET OF

NingBo KLS ELECTRONIC CO.,LTD.