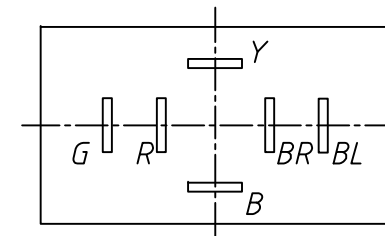
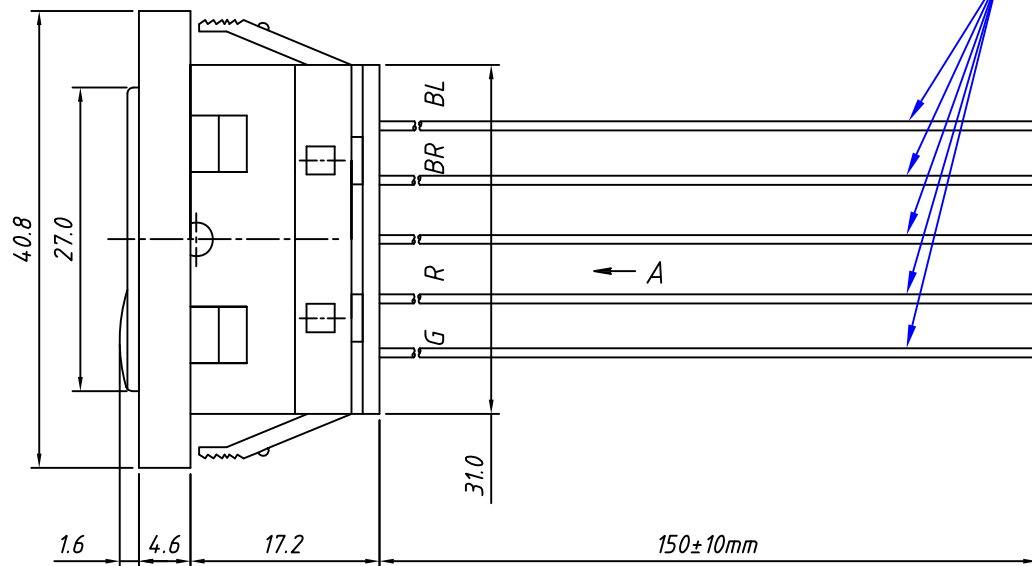
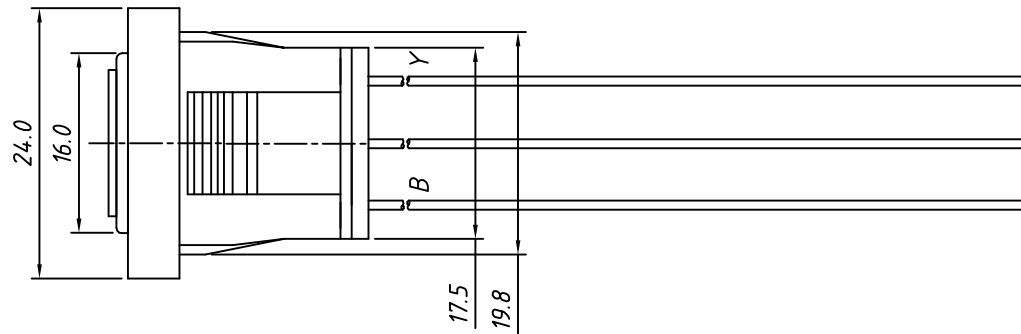


RoHS Compliant



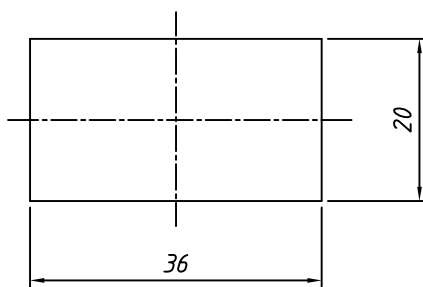
A View

*Electrical*  
 Rated voltage/current: 20A 12V DC  
 Contact Resistance: 50 m Ω  
 Insulation resistance: 100MΩ/DC500V  
 Withstand voltage: AC1500V / 1 min  
 Temp. Range: -25 °C ~ +85 °C  
 Life: 10000 cycles

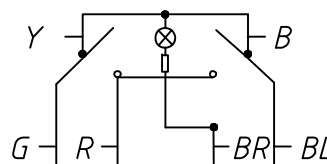
*Order Information*

L-KLS7- AW021 - 01

RoHS Automotive switch product



Panel Mounting



Circuitry

GENERAL TOLERANCE		ANGLE TOLERANCE		Description:	
X. ±0.60		X. ±5°		Automotive Switch,DPDT 6P,with Lamp	
.X ±0.38		.X ±3°		KLS P/N:	KLS7-AW021-0X
.XX ±0.25		.XX ±2°			
Draw by	2015-09-01	PROJECTION		NingBo KLS ELECTRONIC CO.,L TD.	
Check by	2015-09-15	UNITS	mm		
SCALE		SHEET SIZE	A4		