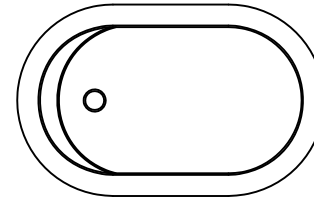
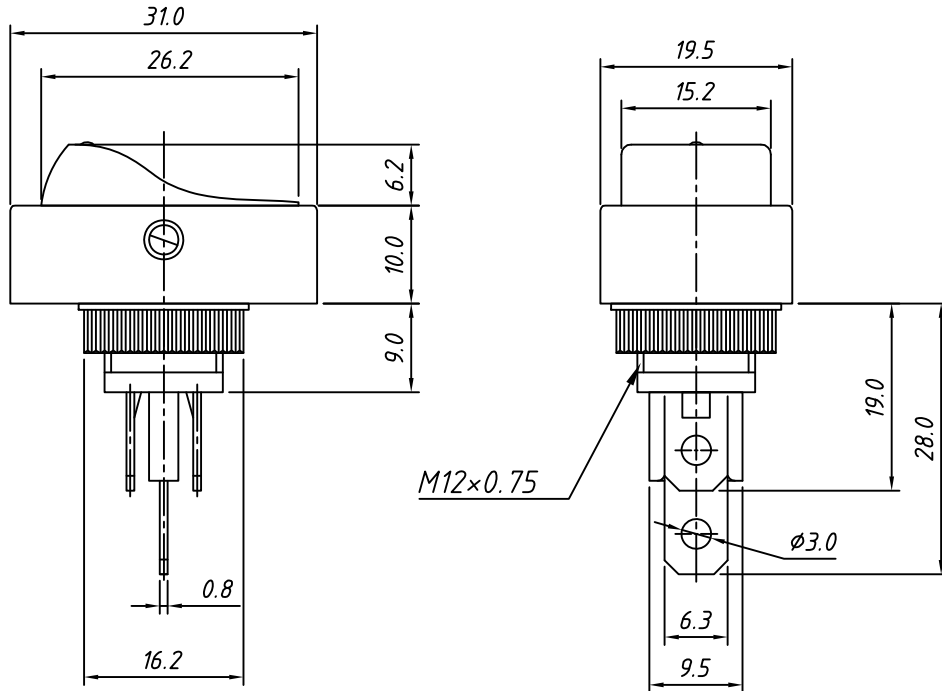


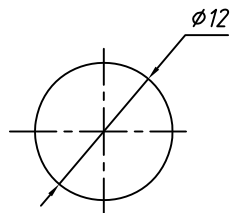
RoHS Compliant



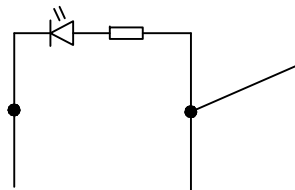
**Electrical**  
 Rated voltage/current: 20A 12V DC  
 Contact Resistance: 50 m $\Omega$   
 Insulation resistance: 100M $\Omega$ /DC500V  
 Withstand voltage: AC1500V / 1 min  
 Temp. Range: -25 °C ~ +85 °C  
 Life: 10000 cycles

**Order Information**

L-KLS7- AW020 - 00  
 RoHS Automotive switch product



Panel Mounting



Circuitry

GENERAL TOLERANCE		ANGLE TOLERANCE		Description:	
X. $\pm 0.60$		X. $\pm 5^\circ$		Automotive Switch, with Lamp, ON-OFF	
.X $\pm 0.38$		.X $\pm 3^\circ$		KLS P/N:	KLS7-AW020-00
.XX $\pm 0.25$		.XX $\pm 2^\circ$			
Draw by	2015-09-01	PROJECTION		NingBo KLS ELECTRONIC CO.,L TD.	
Check by	2015-09-15	UNITS	mm		
SCALE		SHEET SIZE	A4		