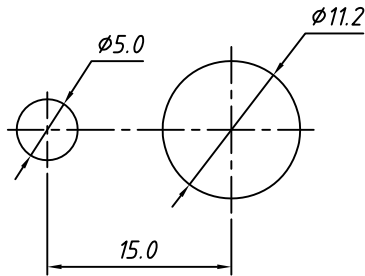
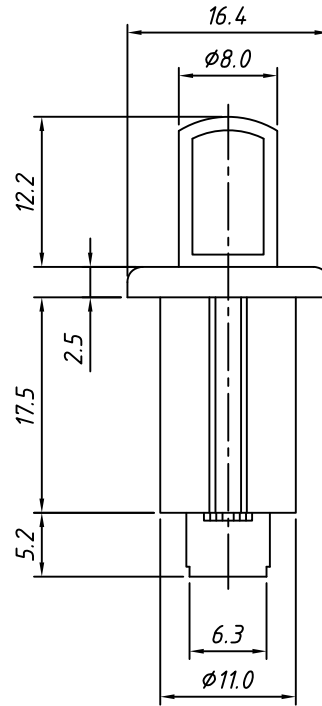
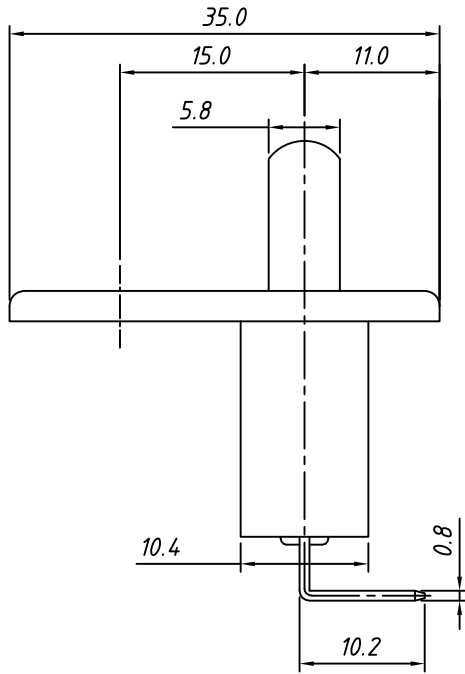
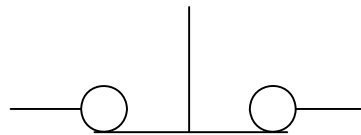


RoHS Compliant



Panel Mounting



ON-(OFF)

Circuitry

Electrical
 Rated voltage/current: 20A 12V DC
 Contact Resistance: 50 mΩ
 Insulation resistance: 100MΩ/DC500V
 Withstand voltage: AC1500V / 1min
 Temp. Range: -25 °C ~ +85 °C
 Life: 10000 cycles

Order Information

L-KLS7- AW018 - 00
 RoHS Automotive switch product

GENERAL TOLERANCE		ANGLE TOLERANCE		Description:	
X. ±0.60		X. ±5°		Automotive Switch ON-(OFF)	
.X ±0.38		.X ±3°		KLS P/N:	KLS7-AW018-00
.XX ±0.25		.XX ±2°			
Draw by	2015-09-01	PROJECTION			NingBo KLS ELECTRONIC CO.,L TD.
Check by	2015-09-15	UNITS	mm		
SCALE		SHEET SIZE	A4		