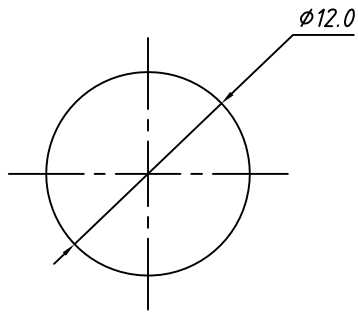
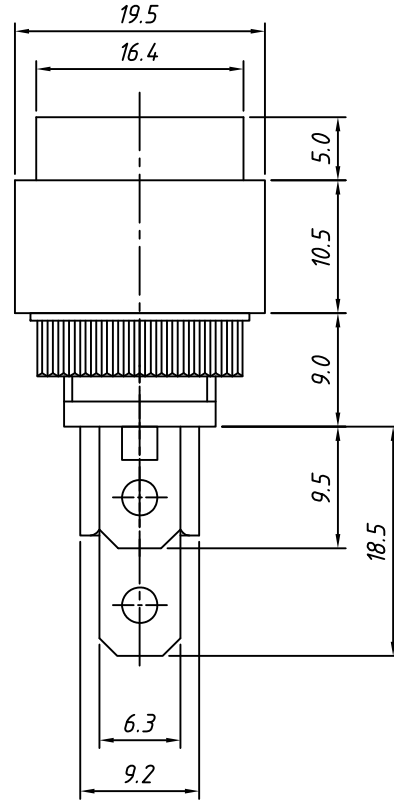
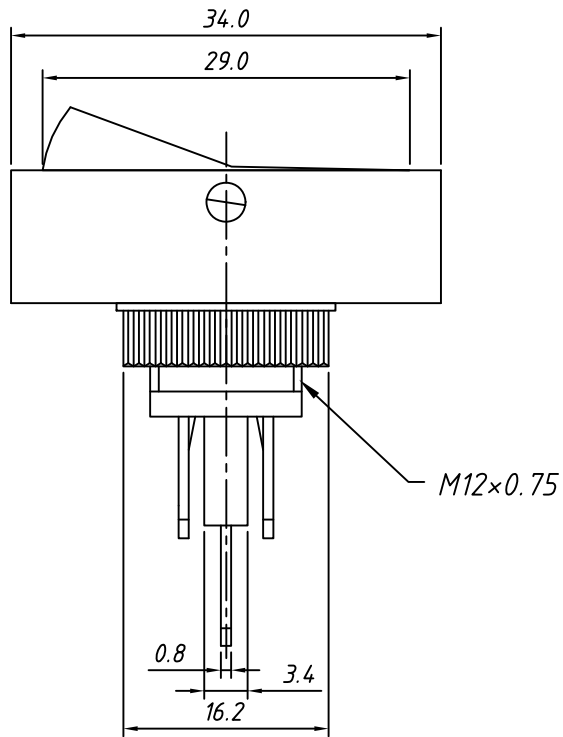
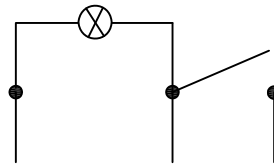


RoHS Compliant



Panel Mounting



Circuitry

**Electrical**  
 Rated voltage/current: 20A 12V DC  
 Contact Resistance: 50 mΩ  
 Insulation resistance: 100MΩ/DC500V  
 Withstand voltage: AC1500V / 1 min  
 Temp. Range: -25 °C ~ +85 °C  
 Life: 10000 cycles

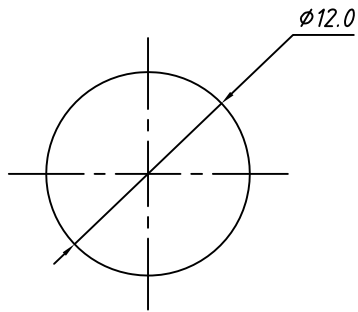
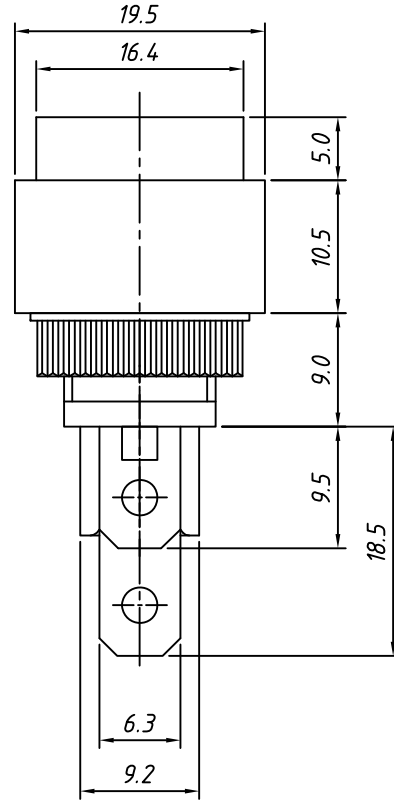
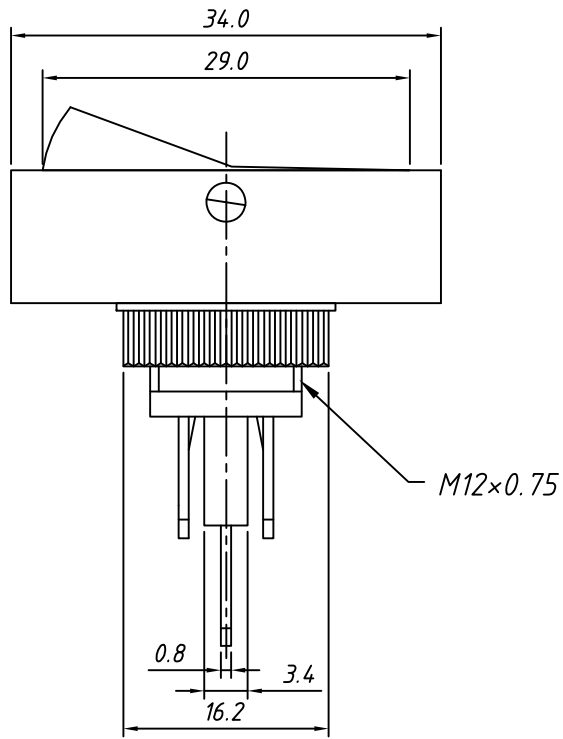
**Order Information**

L-KLS7- AW011 -101 N R B

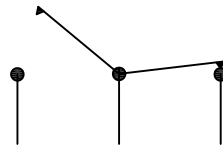
RoHS  
 Automotive switch product  
 Circuitry trait: 101: ON-OFF  
 Lamp Code: N- with lamp  
 Cap color Code:  
 R- Transparency Red  
 G- Transparency Green  
 L- Transparency Blue  
 Y- Transparency Yellow  
 Base color Code:  
 B- Black

<b>GENERAL TOLERANCE</b>		<b>ANGLE TOLERANCE</b>		<b>Description:</b> Automotive Switch	
X. ±0.60		X. ±5°		SPST 3P, with Lamp, ON-OFF	
.X ±0.38		.X ±3°		KLS P/N: KLS7-AW011-101NxB	
.XX ±0.25		.XX ±2°		KLS	
Draw by 2015-09-01	PROJECTION			NingBo KLS ELECTRONIC CO.,L TD.	
Check by 2015-09-15	UNITS	mm			
SCALE	SHEET SIZE	A4			

RoHS Compliant



Panel Mounting



ON-ON

Circuitry

**Electrical**  
 Rated voltage/current: 20A 12V DC  
   10A 125V AC  
 Contact Resistance: 50 mΩ  
 Insulation resistance: 100MΩ/DC500V  
 Withstand voltage: AC1500V / 1 min  
 Temp. Range: -25 °C ~ +85 °C  
 Life: 10000 cycles

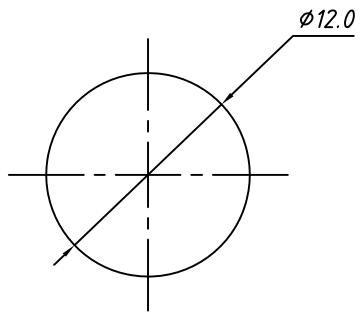
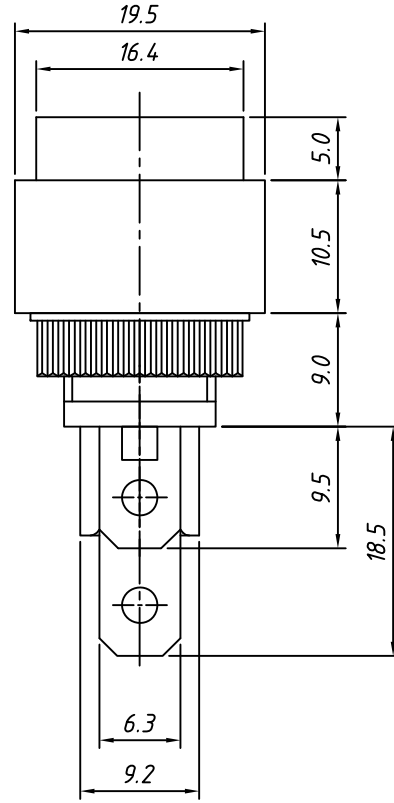
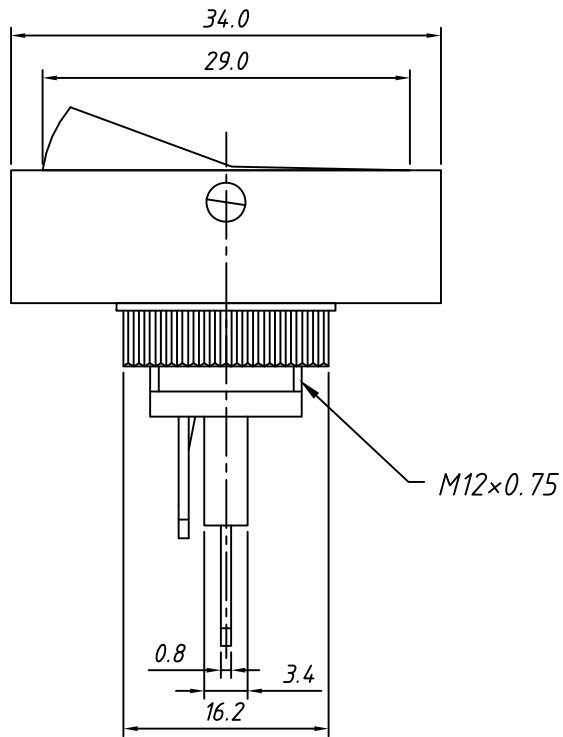
**Order Information**

L-KLS7- AW011 -102 0 B B

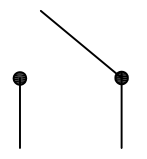
RoHS ————  
 Automotive switch product ————  
 Circuitry trait: 102: ON-ON ————  
 Lamp Code: 0- without lamp ————  
 Cap color Code: ————  
   B- Black ————  
 Base color Code: ————  
   B- Black ————

<b>GENERAL TOLERANCE</b>		<b>ANGLE TOLERANCE</b>		<b>Description:</b>	Automotive Switch
X. ±0.60		X. ±5°		SPST 3P, without Lamp, ON-ON	
.X ±0.38		.X ±3°		<b>KLS P/N:</b>	KLS7-AW011-1020BB
.XX ±0.25		.XX ±2°			
<b>Draw by</b>	2015-09-01	<b>PROJECTION</b>		NingBo KLS ELECTRONIC CO.,L TD.	
<b>Check by</b>	2015-09-15	<b>UNITS</b>	mm		
<b>SCALE</b>		<b>SHEET SIZE</b>	A4		

RoHS Compliant



Panel Mounting



ON-OFF

Circuitry

**Electrical**  
 Rated voltage/current: 20A 12V DC  
 10A 125V AC  
 Contact Resistance: 50 mΩ  
 Insulation resistance: 100MΩ/DC500V  
 Withstand voltage: AC1500V / 1 min  
 Temp. Range: -25 °C ~ +85 °C  
 Life: 10000 cycles

**Order Information**

L-KLS7- AW011 -1010 B B

RoHS  
 Automotive switch product  
 Circuitry trait: 101: ON-OFF  
 Lamp Code: 0- without lamp

Cap color Code:  
 B- Black

Base color Code:  
 B- Black

<b>GENERAL TOLERANCE</b>		<b>ANGLE TOLERANCE</b>		<b>Description:</b>	Automotive Switch
X. ±0.60		X. ±5°		SPST 2P, without Lamp, ON-OFF	
.X ±0.38		.X ±3°		<b>KLS P/N:</b>	KLS7-AW011-1010BB
.XX ±0.25		.XX ±2°			NingBo KLS ELECTRONIC CO.,L TD.
<b>Draw by</b>	2015-09-01	<b>PROJECTION</b>			
<b>Check by</b>	2015-09-15	<b>UNITS</b>	mm		
<b>SCALE</b>		<b>SHEET SIZE</b>	A4		