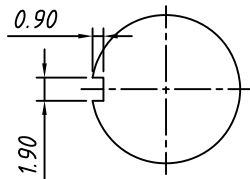
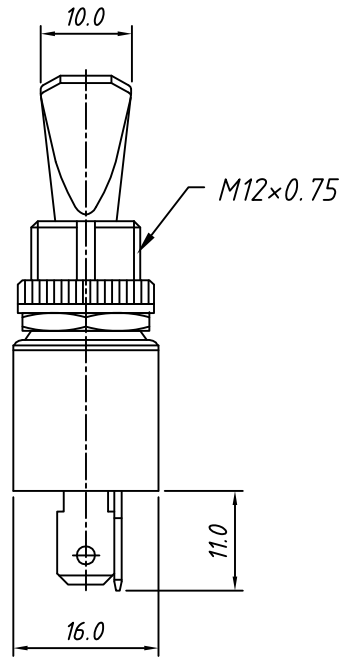
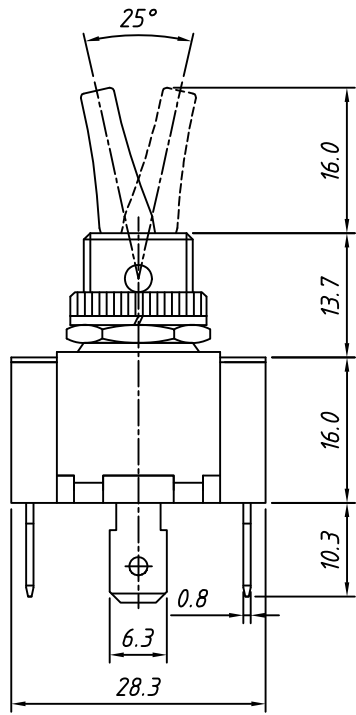
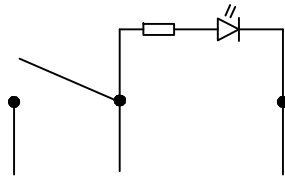


RoHS Compliant



Panel Mounting



Circuitry

**Electrical**  
 Rated voltage/current: 30A 12V DC  
 Contact Resistance: 50 m Ω  
 Insulation resistance: 100MΩ/DC500V  
 Withstand voltage: AC1500V / 1min  
 Temp. Range: -25 °C ~ +85 °C  
 Life: 10000 cycles

**Order Information**

L-KLS7- AW007 - 0 X  
 RoHS Automotive switch product  
 Lamp Color: 1- Red  
 2- Yellow  
 3- Green  
 4- Blue  
 5- White  
 6- Purple

GENERAL TOLERANCE		ANGLE TOLERANCE		Description:	
X. ±0.60		X. ±5°		Automotive Switch ,SPST 3P with Lamp	
.X ±0.38		.X ±3°			
.XX ±0.25		.XX ±2°		KLS P/N:	KLS7-AW007-0X
Draw by	2015-09-01	PROJECTION			NingBo KLS ELECTRONIC CO.,L TD.
Check by	2015-09-15	UNITS	mm		
SCALE		SHEET SIZE	A4		