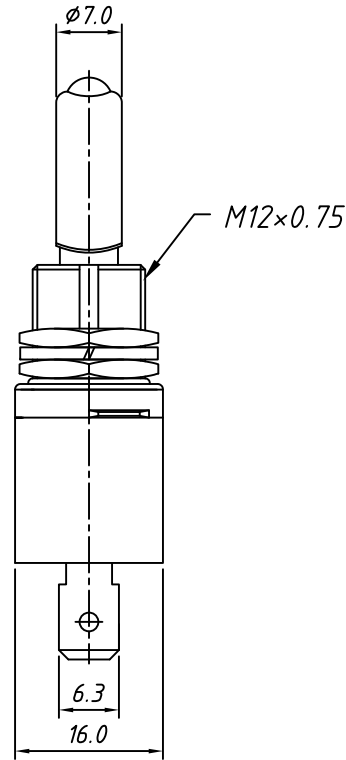
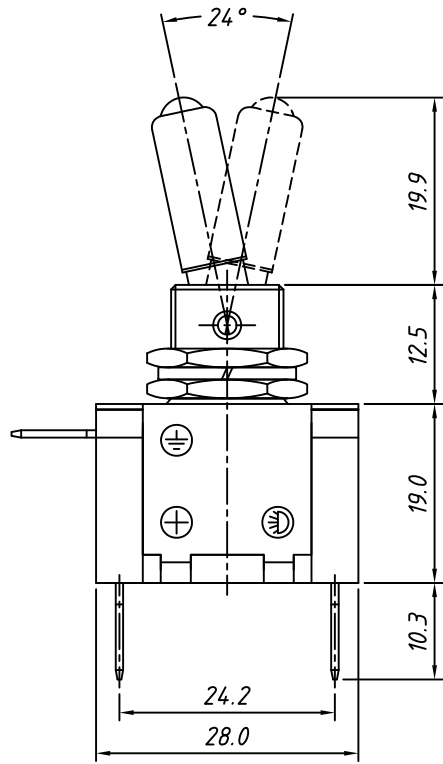


RoHS Compliant

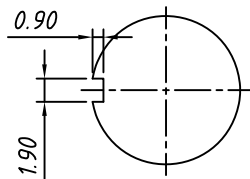


Electrical

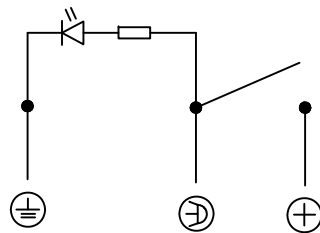
Rated voltage/current: 25A 12V DC
 Contact Resistance: 50 m Ω
 Insulation resistance: 100MΩ/DC500V
 Withstand voltage: AC1500V / 1min
 Temp. Range: -25 °C ~ +85 °C
 Life: 10000 cycles

Order Information

L-KLS7- AW006 - 0 X
 RoHS
 Automotive switch product
 Lamp Color: 1- Red
 2- Yellow
 3- Green
 4- Blue
 5- White
 6- Purple



Panel Mounting



Circuitry

GENERAL TOLERANCE		ANGLE TOLERANCE		Description:	
X. ±0.60		X. ±5°		Automotive Switch SPST 3P with lamp	
.X ±0.38		.X ±3°		KLS P/N:	KLS7-AW006-0X
.XX ±0.25		.XX ±2°			
Draw by	2015-09-01	PROJECTION			NingBo KLS ELECTRONIC CO.,L TD.
Check by	2015-09-15	UNITS	mm		
SCALE		SHEET SIZE	A4		