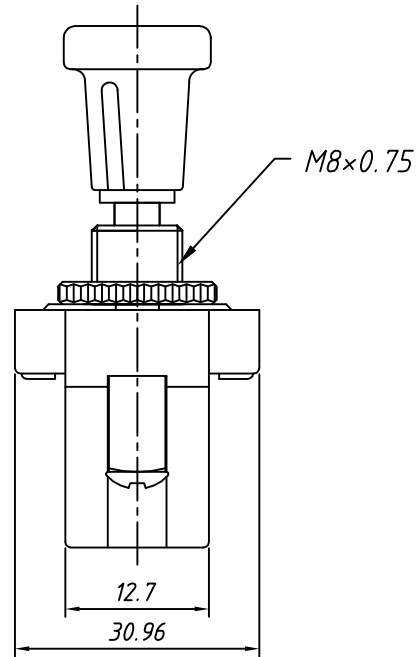
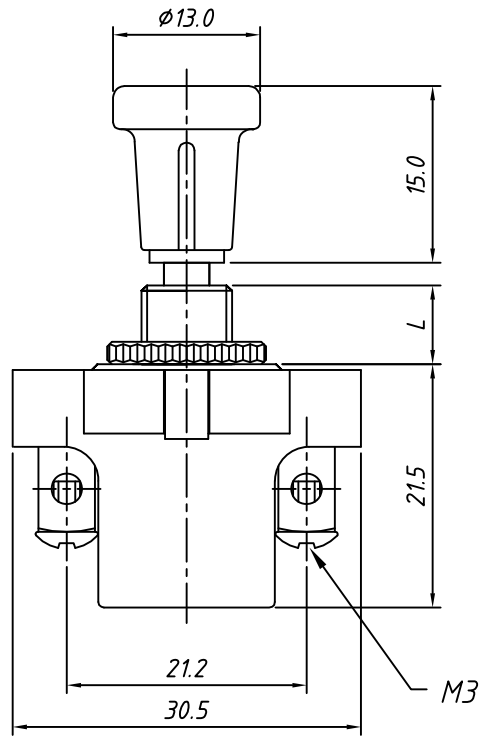


RoHS Compliant



Electrical

Rated voltage/current: 10A 12V DC
6A 30V DC

Contact Resistance: 50 mΩ

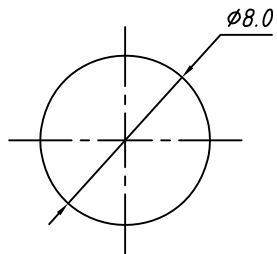
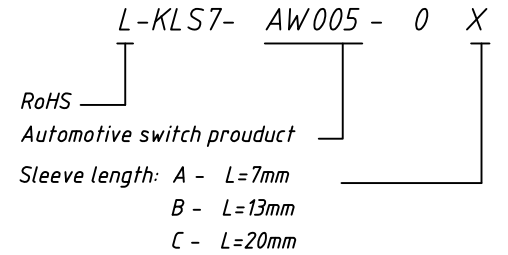
Insulation resistance: 100MΩ/DC500V

Withstand voltage: AC1500V / 1 min

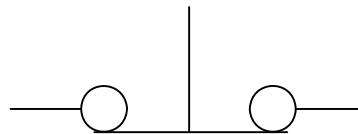
Temp. Range: -25 °C ~ +85 °C

Life: 10000 cycles

Order Information



Panel Mounting



ON-OFF

Circuitry

GENERAL TOLERANCE		ANGLE TOLERANCE		Description:	
X. ±0.60		X. ±5°		Automotive Switch SPST 2P	
.X ±0.38		.X ±3°			
.XX ±0.25		.XX ±2°		KLS P/N:	KLS7-AW005-0X
Draw by	2015-09-01	PROJECTION			NingBo KLS ELECTRONIC CO.,L TD.
Check by	2015-09-15	UNITS	mm		
SCALE		SHEET SIZE	A4		