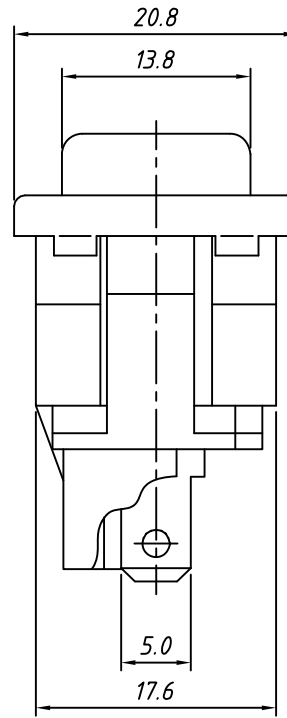
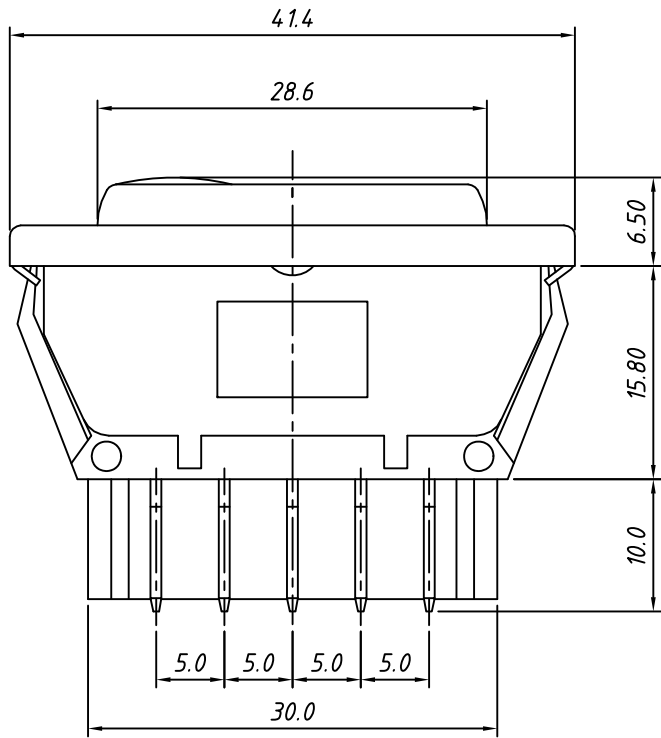


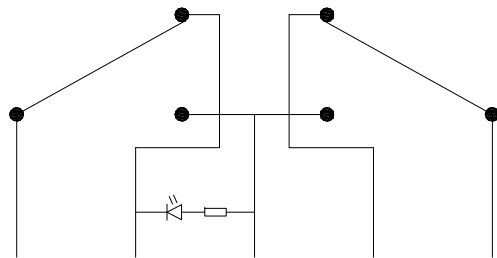
RoHS Compliant



*Electrical*  
 Rated voltage/current: 20A 12V DC  
 Contact Resistance: 50 mΩ  
 Insulation resistance: 100MΩ/DC500V  
 Withstand voltage: AC1500V / 1 min  
 Temp. Range: -25 °C ~ +85 °C  
 Electrical Life: 10000 cycles

*Order Information*

L-KLS7- AW002 -00  
 RoHS Automotive switch product



Circuitry

GENERAL TOLERANCE		ANGLE TOLERANCE		Description:	
X. ±0.60		X. ±5°		Automotive Switch DTDP 5P with Lamp	
.X ±0.38		.X ±3°			
.XX ±0.25		.XX ±2°			
Draw by	2015-09-01	PROJECTION		KLS P/N:	KLS7-AW002-XX
Check by	2015-09-15	UNITS	mm		NingBo KLS ELECTRONIC CO.,L TD.
SCALE		SHEET SIZE	A4		