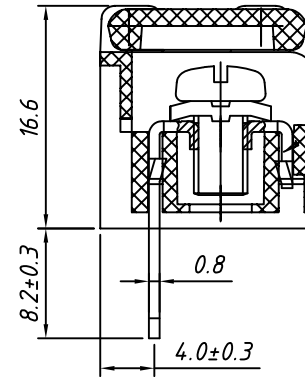


PCB LAYOUT



SECTION A-A

Material

Screw: M4.0, Steel, Ni Plated
 Pin header: Brass, Tin Plated
 Housing: PA66, UL94V-0, Black

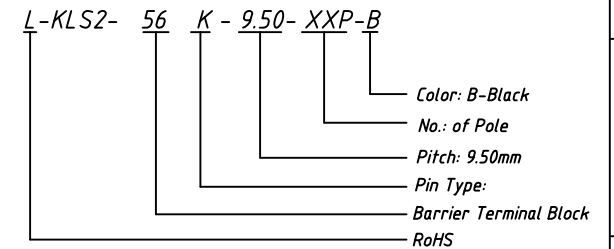
Electrical

Rated voltage: 300V
 Rated current: 20A
 Wire range: 22~12AWG 2.5mm²
 Contact Resistance: 20 mΩ
 Insulation resistance: 500MΩ/DC500V
 Withstand voltage: AC2000V / 1 min

Mechanical

Temp. Range: -40 °C ~ +105 °C
 Torque: 1.2Nm (10.6Lb.in)

Order Information



ANGLE TOLERANCE			Description:	Barrier TERM BLOCK 9.50MM
.X ±5°				
.X ±3°	PROJECTION:			
GENERAL TOLERANCE	UNITS:	mm	KLS P/N:	KLS2-56K-9.50-XXP-B
.X ±0.60	SHEET SIZE:	A4		NingBo KLS ELECTRONIC CO.,L TD.
.X ±0.38	Draw by:	Daniel	2018-02-26	
.XX ±0.25	Check by:	Daniel	2018-02-26	