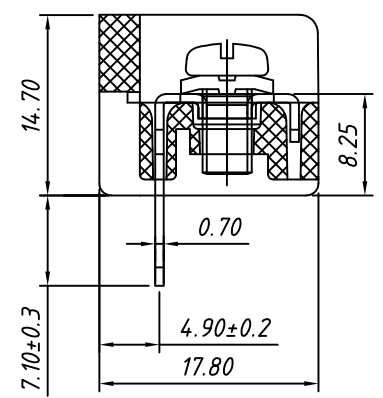


PCB LAYOUT

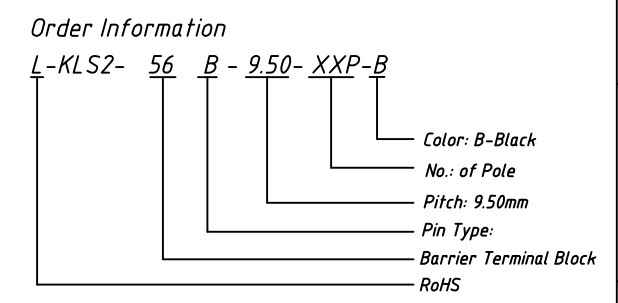


SECTION A-A

Material
 Screw: M4.0, Steel, Ni Plated
 Pin header: Brass, Tin Plated
 Housing: PA66, UL94V-0, Black

Electrical
 Rated voltage: 300V
 Rated current: 20A
 Wire range: 22~12AWG 2.5mm²
 Contact Resistance: 20 mΩ
 Insulation resistance: 500MΩ/DC500V
 Withstand voltage: AC2000V / 1 min

Mechanical
 Temp. Range: -40 °C ~ +105 °C
 Torque: 1.2Nm (10.6Lb.in)



ANGLE TOLERANCE			Description:	Barrier TERM BLOCK 9.50MM
X. ±5°				
.X ±3°	PROJECTION:			
GENERAL TOLERANCE	UNITS:	mm	KLS P/N:	KLS2-56B-9.50-XXP-B
X. ±0.60	SHEET SIZE:	A4		
.X ±0.38	Draw by:	Daniel	2018-02-26	NingBo KLS ELECTRONIC CO.,L TD.
.XX ±0.25	Check by:	Daniel	2018-02-26	