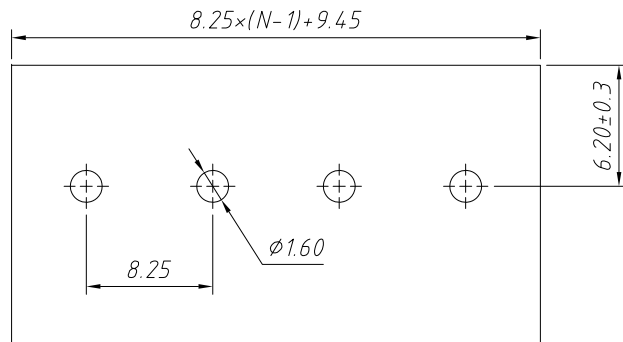
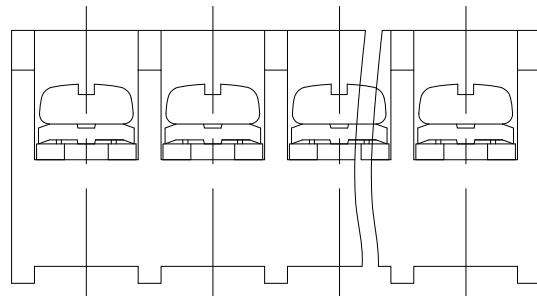


SECTION A-A



PCB LAYOUT

Material

Screw: M3.0, Steel, Ni Plated
 Pin header: Brass, Tin Plated
 Housing: PA66, UL94V-0, Black

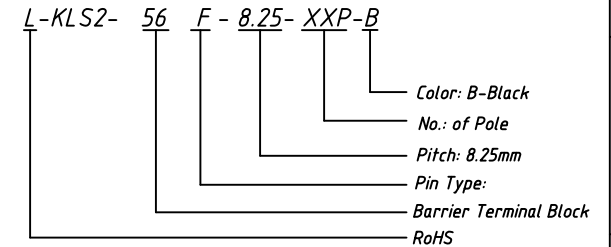
Electrical

Rated voltage: 300V
 Rated current: 20A
 Wire range: 22~12AWG 2.5mm²
 Contact Resistance: 20 mΩ
 Insulation resistance: 500MΩ/DC500V
 Withstand voltage: AC2000V / 1 min

Mechanical

Temp. Range: -40 °C ~ +105 °C
 Torque: 0.5Nm (4.43Lb.in)

Order Information



| | | | | |
|-------------------|-------------|--------|---------------------------------|---------------------------|
| ANGLE TOLERANCE | | | Description: | Barrier TERM BLOCK 8.25MM |
| X. ±5° | | | | |
| .X ±3° | PROJECTION: | | | |
| GENERAL TOLERANCE | UNITS: | mm | KLS P/N: | KLS2-56F-8.25-XXP-B |
| X. ±0.60 | SHEET SIZE: | A4 | NingBo KLS ELECTRONIC CO.,L TD. | |
| .X ±0.38 | Draw by: | Daniel | | 2018-02-26 |
| .XX ±0.25 | Check by: | Daniel | | 2018-02-26 |