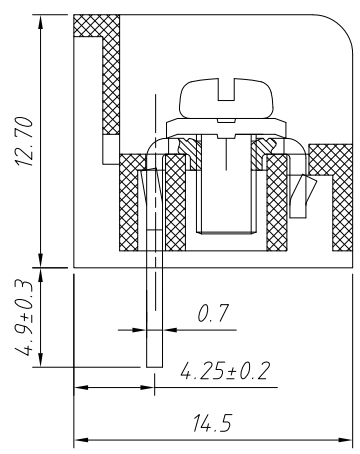


PCB LAYOUT

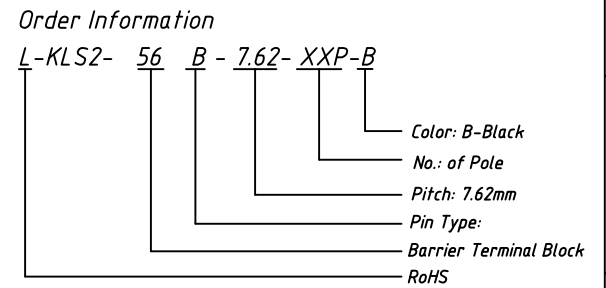


SECTION A-A

**Material**  
 Screw: M3, Steel, Ni Plated  
 Pin header: Brass, Tin Plated  
 Housing: PA66, UL94V-0, Black

**Electrical**  
 Rated voltage: 300V  
 Rated current: 10A  
 Wire range: 22~12AWG 2.5mm<sup>2</sup>  
 Contact Resistance: 20 mΩ  
 Insulation resistance: 500MΩ/DC500V  
 Withstand voltage: AC2000V / 1min

**Mechanical**  
 Temp. Range: -40 °C ~ +105 °C  
 Torque: 0.5Nm (4.43Lb.in)



ANGLE TOLERANCE		Description:		Barrier TERM BLOCK 7.62MM	
X. ±5°		PROJECTION:			
.X ±3°					
GENERAL TOLERANCE		UNITS:	mm	KLS P/N:	KLS2-56B-7.62-XXP-B
X. ±0.60		SHEET SIZE:	A4	NingBo KLS ELECTRONIC CO.,L TD.	
.X ±0.38		Draw by:	Daniel 2018-02-26		
.XX ±0.25		Check by:	Daniel 2018-02-26		