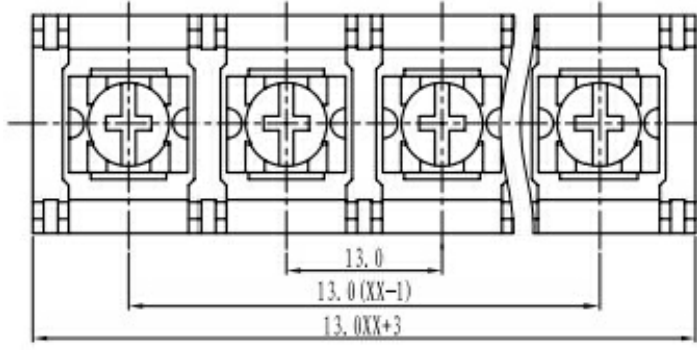


SECTION A-A

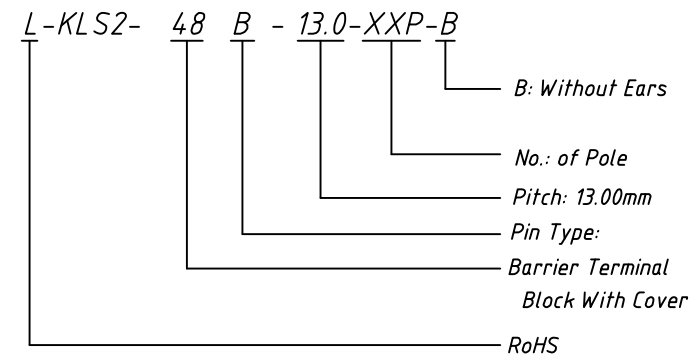


**Material**  
 Screw: M4.0, Steel, Ni Plated  
 Pin header: Brass, 1.0T, Tin Plated  
 Housing: PA66, UL94V-0, Black

**Electrical**  
 Rated voltage: 600V  
 Rated current: 40A  
 Wire range: 18~10AWG 6mm<sup>2</sup>  
 Contact Resistance: 20 mΩ  
 Insulation resistance: 500MΩ/DC500V  
 Withstand voltage: AC2000V / 1 min

**Mechanical**  
 Temp. Range: -40 °C ~ +105 °C  
 Torque: 1.2 N.m (10.6 Lb. in)

Order Information



GENERAL TOLERANCE	ANGLE TOLERANCE	PROJECTION	Description:
X. ±0.60	X. ±5°	UNITS	Barrier TERM BLOCK 13.0MM
.X ±0.38	.X ±3°	SHEET SIZE	
.XX ±0.25	.XX ±2°	KLS P/N:	

Draw by: Date	2015-09-01
Check by: Date	2015-09-15
SCALE	SHEET OF



NingBo KLS ELECTRONIC CO.,LTD.