

SECTION A-A

Material
 Screw: M4.0, Steel, Ni Plated
 Pin header: Brass, 0.8T, Tin Plated
 Housing: PA66, UL94V-0,Black

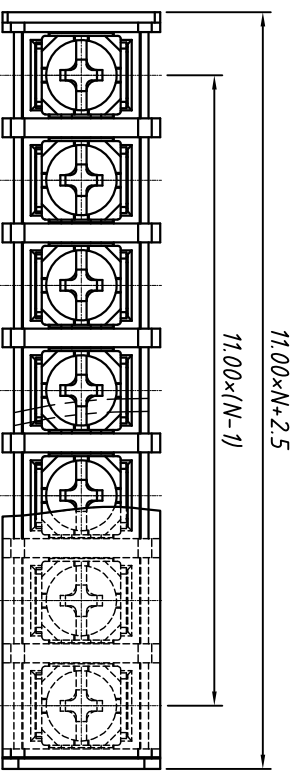
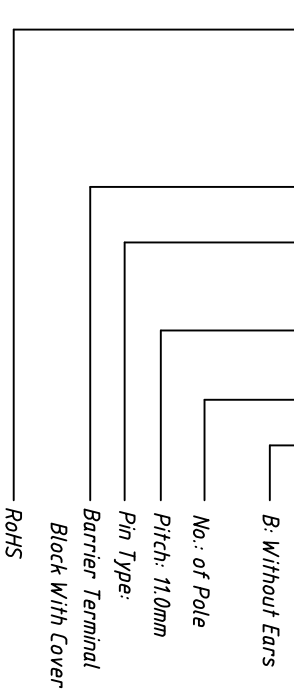
Electrical
 Rated voltage: 300V
 Rated current: 20A
 Wire range: 22~12AWG 4mm²
 Contact Resistance: 20 mΩ

Insulation resistance: 500MΩ/DC500V
 Withstand voltage: AC2000V / 1min

Mechanical
 Temp. Range: -40 °C ~ +105 °C
 Torque: 1.2 Nm (10.6 Lb. In)

Order Information

L-KLS2-48 B-110-XXP-B



GENERAL TOLERANCE		ANGLE TOLERANCE		PROJECTION		Description:
X: ±0.60	.X ±0.38	.XX ±0.25	X: ±5°	.X ±3°	.XX ±2°	
Draw by: Date	2015-09-01					Barrier TERM BLOCK 11.0MM KLS2-48B-110-XXP-B
Check by: Date	2015-09-15					
SCALE	SHEET	OF				

KLS Ningbo KLS ELECTRONIC CO.,LTD.