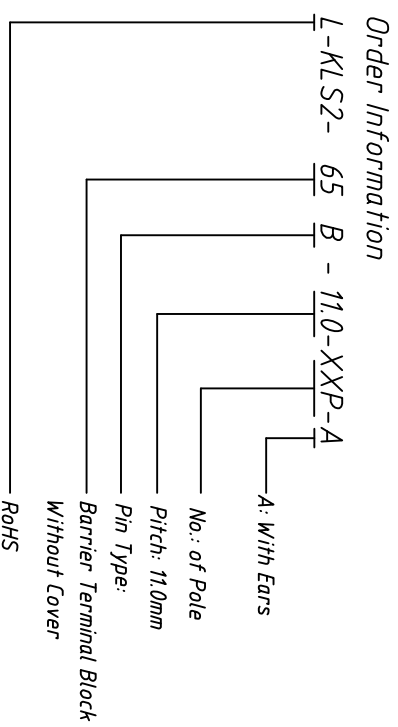
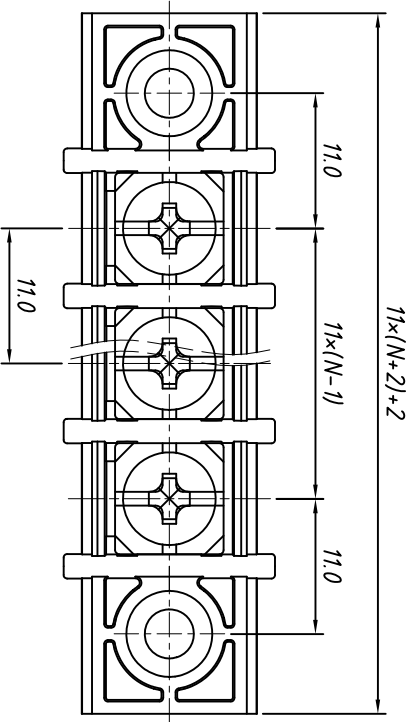


SECTION A-A

**Material**  
 Screw: M4.0, Steel, Ni Plated  
 Pin header: Brass, 0.8t, Tin Plated  
 Housing: PA66, UL94V-0,Black

**Electrical**  
 Rated voltage: 300V  
 Rated current: 20A  
 Wire range: 22~12AWG 4.0mm<sup>2</sup>  
 Contact Resistance: 20 mΩ  
 Insulation resistance: 500MΩ/DC500V  
 Withstand voltage: AC2000V / 1min

**Mechanical**  
 Temp. Range: -40 °C ~ +105 °C  
 Torque: 1.2Nm (10.6lb.in)



<b>GENERAL TOLERANCE</b>		<b>ANGLE TOLERANCE</b>		<b>PROJECTION</b>		<b>Description:</b>	
X. ±0.60		X. ±5°		UNITS	mm	Barrier TERM BLOCK 11.0MM	
.X ±0.38		.X ±3°		SHEET SIZE	A4		
.XX ±0.25		.XX ±2°		KLS P/N:	KLS2-65B-11.0-XXP-A		
Draw by: Date		2018-02-26		KLS NingBo KLS ELECTRONIC CO.,LTD.			
Check by: Date		2018-02-26					
SCALE	SHEET	OF					