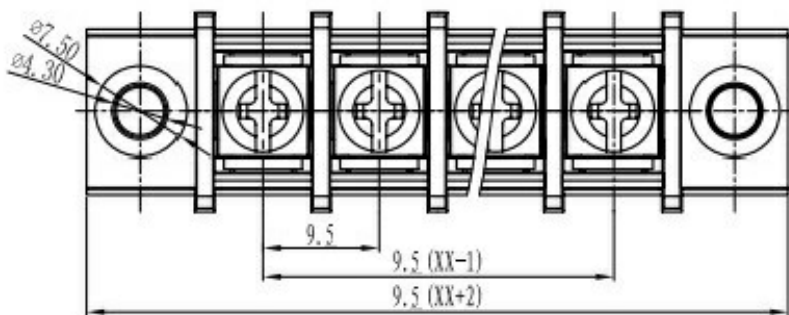


Section A-A



Material

Screw: M4.0, Steel, Ni Plated
 Pin header: Brass, 0.8t, Tin Plated
 Housing: PA66, UL94V-0, Black

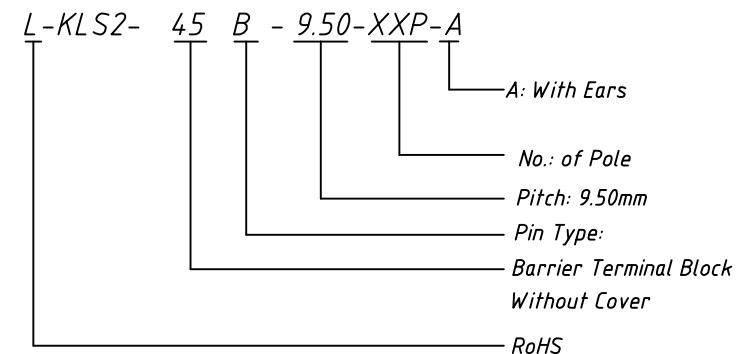
Electrical

Rated voltage: 300V
 Rated current: 20A
 Wire range: 22~12AWG 4.0mm²
 Contact Resistance: 20 mΩ
 Insulation resistance: 500MΩ/DC500V
 Withstand voltage: AC2000V / 1 min

Mechanical

Temp. Range: -40 °C ~ +105 °C
 Torque: 1.2Nm (10.6Lb.in)

Order Information



GENERAL TOLERANCE	ANGLE TOLERANCE	PROJECTION		Description:
X. ±0.60	X. ±5°	UNITS	mm	Barrier TERM BLOCK 9.50MM
.X ±0.38	.X ±3°	SHEET SIZE	A4	
.XX ±0.25	.XX ±2°		KLS P/N:	

Draw by: Date	2018-02-26
Check by: Date	2018-02-26
SCALE	SHEET OF

