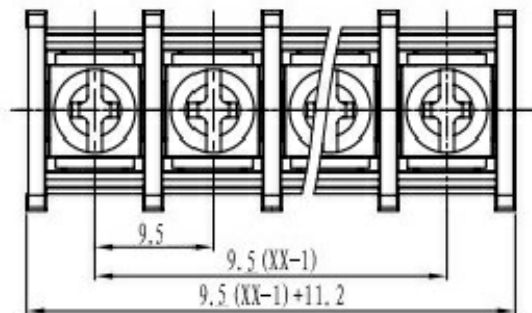


Section A-A



**Material**

Screw: M4.0, Steel, Ni Plated  
 Pin header: Brass, 0.8t, Tin Plated  
 Housing: PA66, UL94V-0, Black

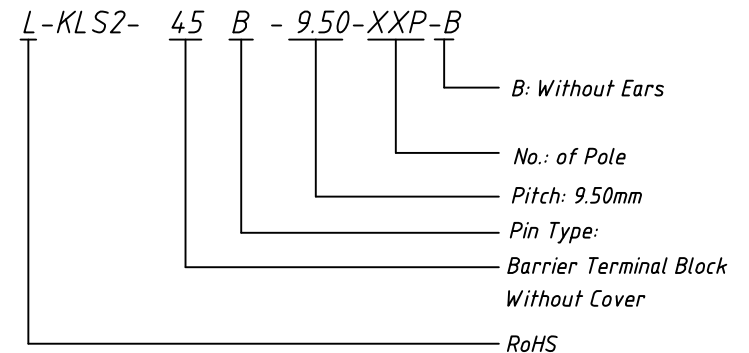
**Electrical**

Rated voltage: 300V  
 Rated current: 20A  
 Wire range: 22~12AWG 4.0mm<sup>2</sup>  
 Contact Resistance: 20 mΩ  
 Insulation resistance: 500MΩ/DC500V  
 Withstand voltage: AC2000V / 1 min

**Mechanical**

Temp. Range: -40 °C ~ +105 °C  
 Torque: 1.2Nm (10.6Lb.in)

**Order Information**



GENERAL TOLERANCE	ANGLE TOLERANCE	PROJECTION	Description:
X. ±0.60	X. ±5°	UNITS	Barrier TERM BLOCK 9.50MM
.X ±0.38	.X ±3°	SHEET SIZE	
.XX ±0.25	.XX ±2°	KLS P/N:	

Draw by: Date 2018-02-26

Check by: Date 2018-02-26

SCALE SHEET OF



NingBo KLS ELECTRONIC CO.,LTD.