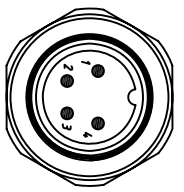
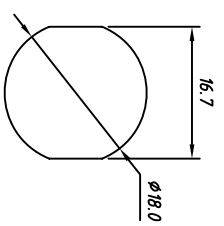
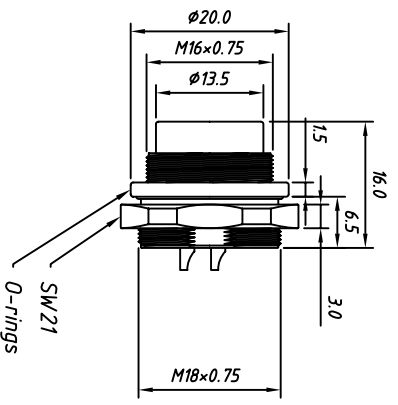
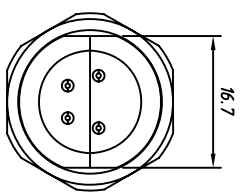


A	1		2				3	
	Male insert (mating shield)	Contact code	Rated Current	Rated Voltage	Withstand voltage	Insulation resistance	Contact resistance	Contact Diameter
		02	7	250	1500	1500	5	Ø15
		03	7	250	1500	1500	5	Ø15
		04	7	250	1500	1500	5	Ø15
		05	6	250	1500	1500	5	Ø15
		5A	5	50	500	1000	5	Ø15
		06	5	250	1500	1500	5	Ø15
		07	5	50	800	1000	5	Ø15
		08	5	50	500	1000	5	Ø15
		12	5	50	500	1000	3	Ø10
		14	5	50	500	1000	3	Ø10
		16	5	50	500	1000	3	Ø10
		19	5	50	500	1000	3	Ø10
		24	5	50	500	1000	3	Ø0.5
	UNIT		A	V	V.AC	MΩ	mΩ	mm



Front view



Back view

Order information

L-KLS15-253-B1 XX
 L: RoHS
 Bi: C091, P67 Soldering,
 Panel mount, Rear lock, Male Pin
 XX: Contacts Code

GENERAL TOLERANCE	ANGLE TOLERANCE
X: ±0.60	X: ±5°
.X: ±0.38	.X: ±3°
.XX: ±0.25	.XX: ±2°

Draw by:	PROJECTION	UNITS	mm
Check by:		SHEET SIZE	A4
SCALE			

Material:
 SHELL Housing: Zinc alloy, Nickel plated
 Insert Housing: PA66+GF 20%
 Contact: Brass, Silver plated
 Termination: Solder
 Locking: Threaded Coupling
 Version: Straight
 Mating life: 500 cycles

IP rating: IP67
Cable Diameter: Ø6.0 ~ Ø8.5mm
Temperature Range: -25°C ~ +80°C

Description: Soldering Connectors, Panel mount, Rear lock, Male, C091 Miniature Circular
 KLS P/N: KLS15-253-B1

KLS ELECTRONIC CO., LTD.