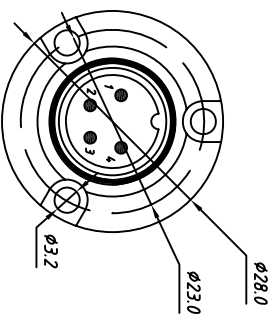
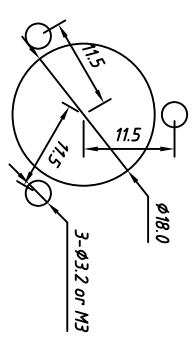
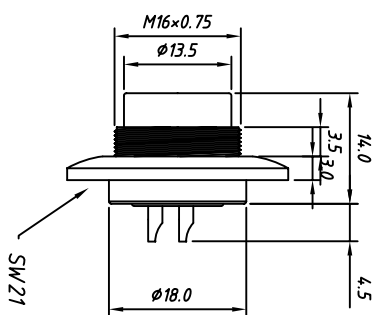
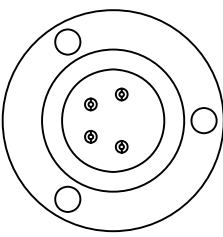


A	1		2			3		
	Male insert (mating shield)	Contact code	Rated Current	Rated Voltage	Withstand voltage	Insulation resistance	Contact resistance	Contact Diameter
	02	7	250	1500	1500	5	5	Ø15
B	03	7	250	1500	1500	5	5	Ø15
	04	7	250	1500	1500	5	5	Ø15
	05	6	250	1500	1500	5	5	Ø15
C	5A	5	50	500	1000	5	5	Ø15
	06	5	250	1500	1500	5	5	Ø15
D	07	5	50	800	1000	5	5	Ø15
	08	5	50	500	1000	5	5	Ø15
E	12	5	50	500	1000	3	3	Ø10
	14	5	50	500	1000	3	3	Ø10
F	16	5	50	500	1000	3	3	Ø10
	19	5	50	500	1000	3	3	Ø10
G	24	5	50	500	1000	3	3	Ø0.5
	UNIT	A	V	V.A.C	MΩ	mΩ	mΩ	mm



Front view



Back view

Order information

L-KLS15-253-J09-XX M6

- L: RoHS
- J09: C091 Miniature Circular Connector
- XX: Contacts Code
- M6: Soldering Connectors Circular Panel mount, Male Pin

GENERAL TOLERANCE

X: ±0.60
 .X: ±0.38
 .XX: ±0.25

ANGLE TOLERANCE

X: ±5°
 .X: ±3°
 .XX: ±2°

Draw by:	PROJECTION	UNITS	mm
Check by:	SHEET SIZE	A4	
SCALE			

Description: Soldering Connectors, Circular Panel mount, Male, C091 Miniature Circular

KLS P/N: KLS15-253-J09-XXM6

Material: Zinc alloy, Nickel plated
 SHELL Housing: PA66+GF 20%
 Insert Housing: Brass, Silver plated
 Contact: Solder
 Termination: Threaded Coupling
 Locking: Straight
 Version: 500 cycles
 Mating life: IP65
 Cable Diameter: Ø6.0 ~ Ø8.5mm
 Temperature Range: -25°C ~ +80°C

KLS ELECTRONIC CO., LTD.

1	2	3	4	5	6	7	8
---	---	---	---	---	---	---	---