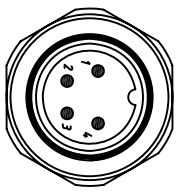
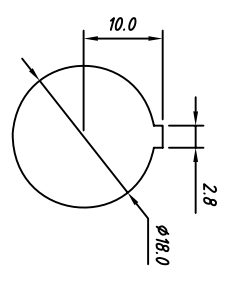
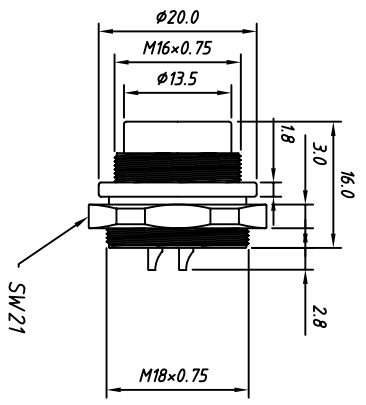
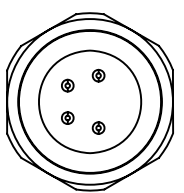


A	1		2			3	
	Male insert (mating shield)	Contact code	Rated Current	Rated Voltage	Withstand voltage	Insulation resistance	Contact resistance
	02	7	250	1500	1500	5	1500
B	03	7	250	1500	1500	5	1500
	04	7	250	1500	1500	5	1500
C	05	6	250	1500	1500	5	1500
	5A	5	50	500	1000	5	1500
D	06	5	250	1500	1500	5	1500
	07	5	50	800	1000	5	1500
E	08	5	50	500	1000	5	1500
	12	5	50	500	1000	3	1000
F	14	5	50	500	1000	3	1000
	16	5	50	500	1000	3	1000
G	19	5	50	500	1000	3	1000
	24	5	50	500	1000	3	1000
H	UNIT	A	V	V.A.C	MΩ	mΩ	mm



Front view



Back view

Order information

L-KLS15-253-J09-XX M1

- L: RoHS
- J09: C091 Miniature Circular Connector
- XX: Contacts Code
- M1: Soldering Connectors, Panel mount, Rear lock, Male Pin

GENERAL TOLERANCE

X: ±0.60
 .X: ±0.38
 .XX: ±0.25

ANGLE TOLERANCE

X: ±5°
 .X: ±3°
 .XX: ±2°

Draw by:	PROJECTION	UNITS	mm
Check by:	SHEET SIZE	A4	
SCALE			

Description: Soldering Connectors, Panel mount, Rear lock, Male, C091 Miniature Circular

KLS P/N: KLS15-253-J09-XXM1

KLS ELECTRONIC CO., LTD.

1	2	3	4	5	6	7	8
---	---	---	---	---	---	---	---