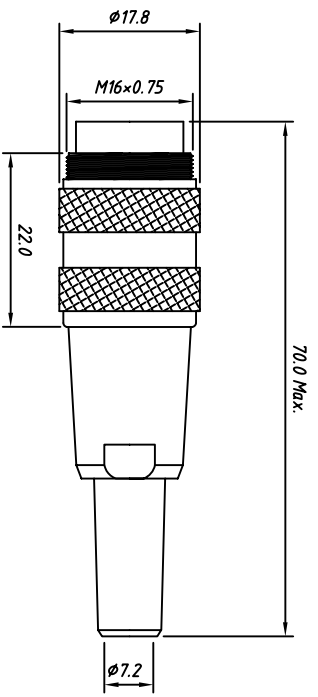
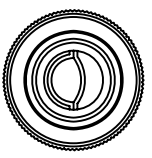


A	Male insert (mating shield)	1			2			3		
		Contact code	Rated Current	Rated Voltage	Withstand voltage	Insulation resistance	Contact resistance	Contact Diameter		
		02	7	250	1500	1500	5	Ø15		
B		03	7	250	1500	1500	5	Ø15		
		04	7	250	1500	1500	5	Ø15		
C		05	6	250	1500	1500	5	Ø15		
		5A	5	50	500	1000	5	Ø15		
D		06	5	250	1500	1500	5	Ø15		
		07	5	50	800	1000	5	Ø15		
E		08	5	50	500	1000	5	Ø15		
		12	5	50	500	1000	3	Ø10		
F		14	5	50	500	1000	3	Ø10		
		16	5	50	500	1000	3	Ø10		
G		19	5	50	500	1000	3	Ø10		
		24	5	50	500	1000	3	Ø0.5		
H	UNIT	A	V	V.A.C	MΩ	mΩ	mm			



Front view



Back view

Order information

L-KLS15-253-J09-XX F2

- L: RoHS
- J09: C091 Miniature Circular Connector
- XX: Contacts Code
- F2: Plug Male Pin

GENERAL TOLERANCE

X: ±0.60  
 .X: ±0.38  
 .XX: ±0.25

ANGLE TOLERANCE

X: ±5°  
 .X: ±3°  
 .XX: ±2°

Draw by:	PROJECTION	UNITS	mm
Check by:	SHEET SIZE	A4	
SCALE			

Description:	C091 Miniature Circular Connectors
	Plug Male
KLS P/N:	KLS15-253-J09-XXF2

**Material:** Zinc alloy, Nickel plated  
**SHELL Housing:** PA66+GF 20%  
**Insert Housing:** Brass, Silver plated  
**Contact:** Solder  
**Termination:** Threaded Coupling  
**Locking:** Straight  
**Version:** 500 cycles  
**Mating life:** 500 cycles  
**IP rating:** IP65  
**Cable Diameter:** Ø6.0 ~ Ø8.5mm  
**Temperature Range:** -25°C ~ +80°C

KLS ELECTRONIC CO., LTD.