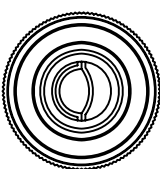
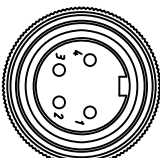
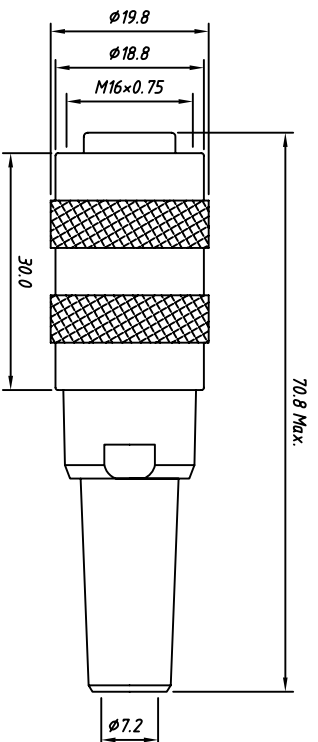


	1		2			3		4		5		6		7		8	
	Female insert (mating shield)	Contact code	Rated Current	Rated Voltage	Withstand voltage	Insulation resistance	Contact resistance	Contact resistance	Contact diameter								
A		02	7	250	1500	1500	5	5	Ø1.5								
B		03	7	250	1500	1500	5	5	Ø1.5								
		04	7	250	1500	1500	5	5	Ø1.5								
		05	6	250	1500	1500	5	5	Ø1.5								
C		06	5	250	1500	1500	5	5	Ø1.5								
		07	5	50	800	1000	5	5	Ø1.5								
D		08	5	50	500	1000	5	5	Ø1.5								
		12	5	50	500	1000	3	3	Ø1.0								
E		14	5	50	500	1000	3	3	Ø1.0								
		16	5	50	500	1000	3	3	Ø1.0								
F		19	5	50	500	1000	3	3	Ø1.0								
		24	5	50	500	1000	3	3	Ø0.5								
G	UNIT	A	V	V.A.C	MΩ	mΩ	mm										



Front view

Back view

Order information

L-KLS15-253-J09-XX F1
 L: RoHS
 J09: C091 Miniature Circular Connector
 XX: Contacts Code
 F1: Plug Female Pin

GENERAL TOLERANCE

X	±0.60
.X	±0.38
.XX	±0.25

ANGLE TOLERANCE

X	±5°
.X	±3°
.XX	±2°

Draw by:	PROJECTION	UNITS	mm
Check by:	SHEET SIZE	A4	
SCALE			

Description:	C091 Miniature Circular Connectors Plug Female
KLS P/N:	KLS15-253-J09-XXF1

Material: Zinc alloy, Nickel plated
 SHELL Housing: PA66+GF 20%
 Insert Housing: Brass, Silver plated
 Contact: Solder
 Termination: Threaded Coupling
 Locking: Straight
 Version: 500 cycles
 Mating life: IP65
 Cable Diameter: Ø6.0 ~ Ø8.5mm
 Temperature Range: -25°C ~ +80°C

KLS ELECTRONIC CO., LTD.