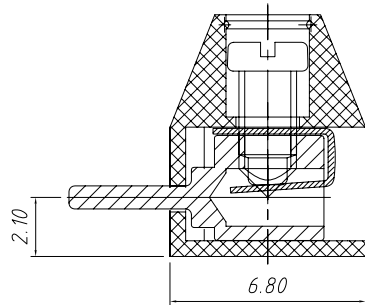


PCB LAYOUT



SECTION A-A

Material

Screw: M2, Steel, Zn plated
 Shrapnel: Phosphor bronze, Nickel plated
 Pin header: Brass, Tin plated
 Housing: PA66, UL94V-0

Electrical

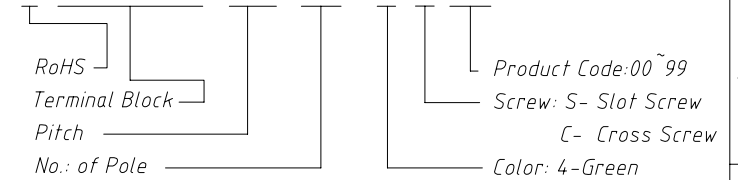
Rated voltage: 125V
 Rated current: 10A
 Wire range: 24 ~ 18AWG 1.0mm²
 Contact Resistance: 20 mΩ
 Insulation resistance: 500MΩ/DC500V
 Withstand voltage: AC2000V / 1min

Mechanical

Temp. Range: -40 °C ~ +105 °C
 Soldering: 250°C ±5°C for 5S
 Torque: 0.2 N.m (1.77Lb. in)
 Strip length: 4.5 ~ 5 mm

Order Information

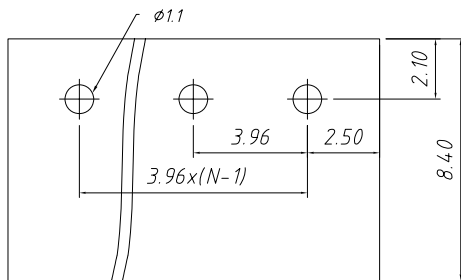
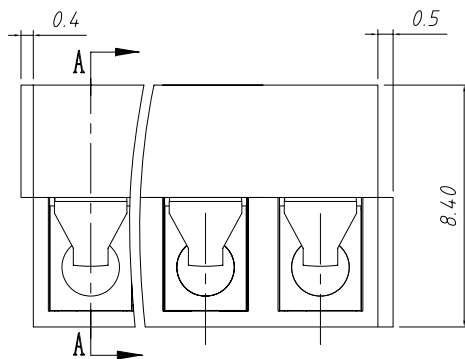
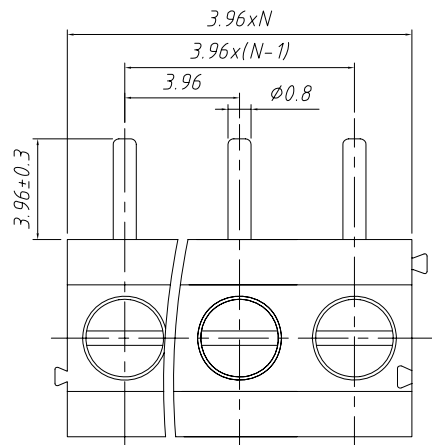
L-KLS2-350R-3.50-XXP-4 S XX



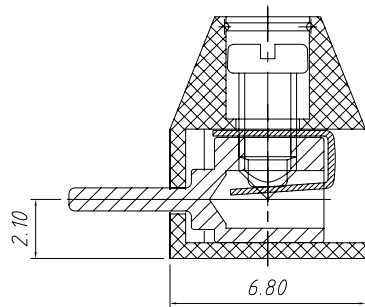
GENERAL TOLERANCE	ANGLE TOLERANCE	PROJECTION	Description:
X. ±0.60	X. ±5°	UNITS	Screw CONN TERM BLOCK 3.50MM
.X ±0.38	.X ±3°	SHEET SIZE	
.XX ±0.25	.XX ±2°	KLS P/N:	

Draw by: Date	2015-09-01
Check by: Date	2015-09-15
SCALE	SHEET OF

KLS ELECTRONIC CO., LTD.



PCB LAYOUT



SECTION A-A

Material

Screw: M2, Steel, Zn plated
 Shrapnel: Phosphor bronze, Nickel plated
 Pin header: Brass, Tin plated
 Housing: PA66, UL94V-0

Electrical

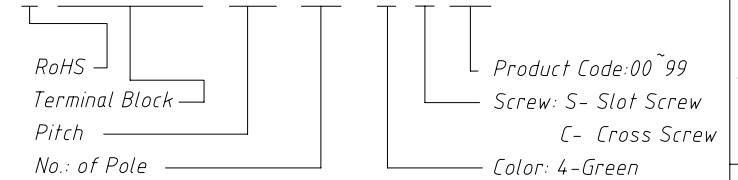
Rated voltage: 125V
 Rated current: 10A
 Wire range: 24 ~ 18AWG 1.0mm²
 Contact Resistance: 20 mΩ
 Insulation resistance: 500MΩ/DC500V
 Withstand voltage: AC2000V / 1min

Mechanical

Temp. Range: -40 °C ~ +105 °C
 Soldering: 250°C ±5°C for 5S
 Torque: 0.2 N.m (1.77Lb. in)
 Strip length: 4.5 ~ 5 mm

Order Information

L-KLS2-350R-3.96-XXP-4 S XX



GENERAL TOLERANCE		ANGLE TOLERANCE		PROJECTION	Description:
X.	±0.60	X.	±5°	UNITS	Screw CONN TERM BLOCK 3.96MM
.X	±0.38	.X	±3°	SHEET SIZE	
.XX	±0.25	.XX	±2°	KLS P/N:	KLS2-350R-3.96-XXP-4S

Draw by: Date	2015-09-01
Check by: Date	2015-09-15
SCALE	SHEET OF

KLS ELECTRONIC CO., LTD.