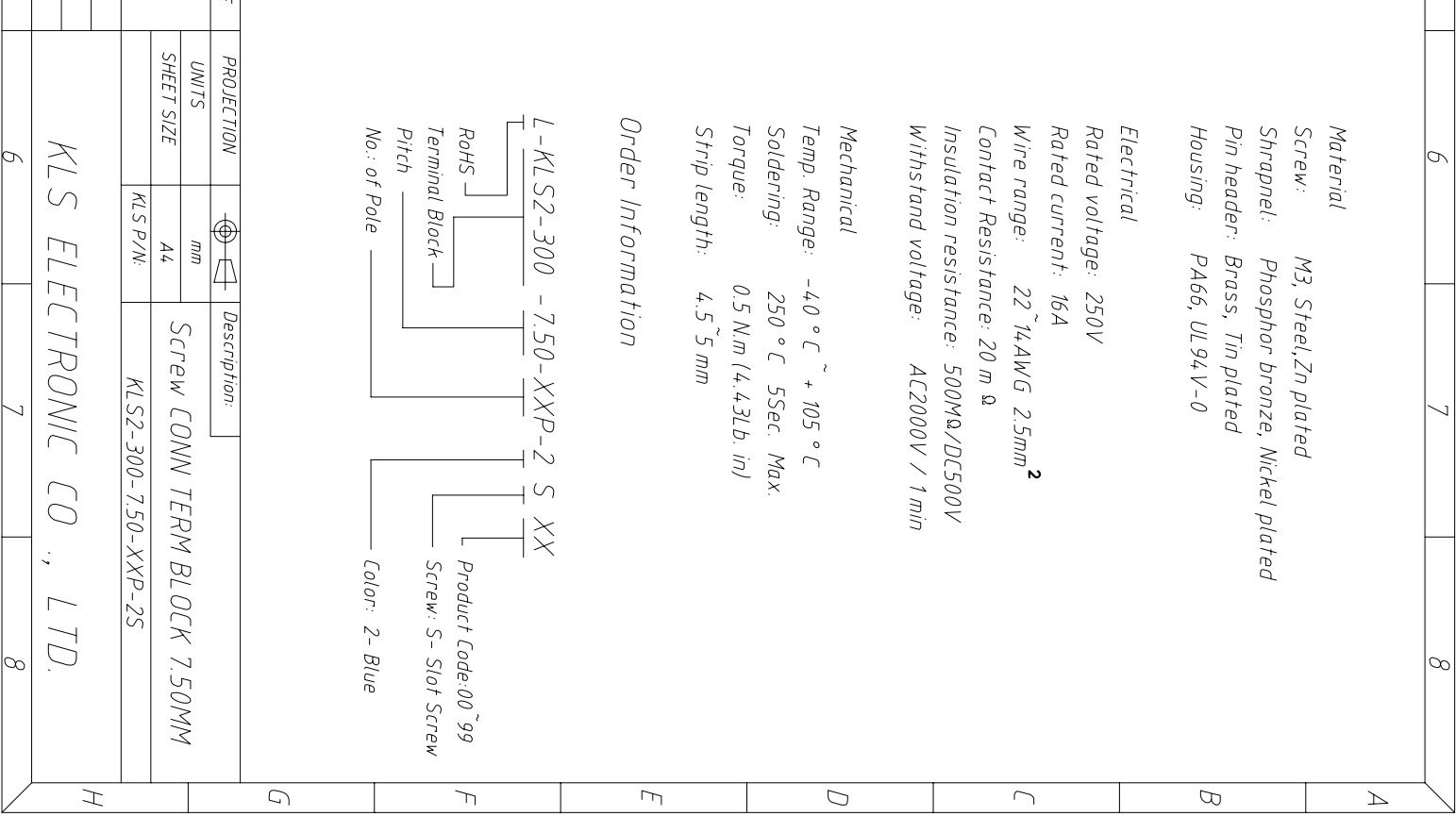
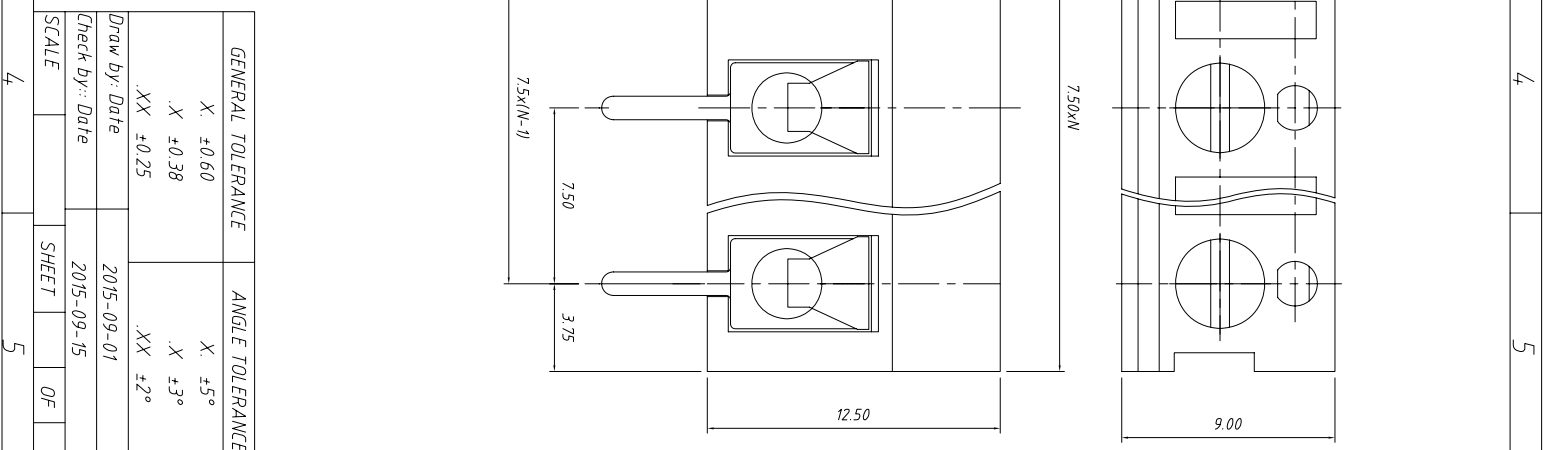
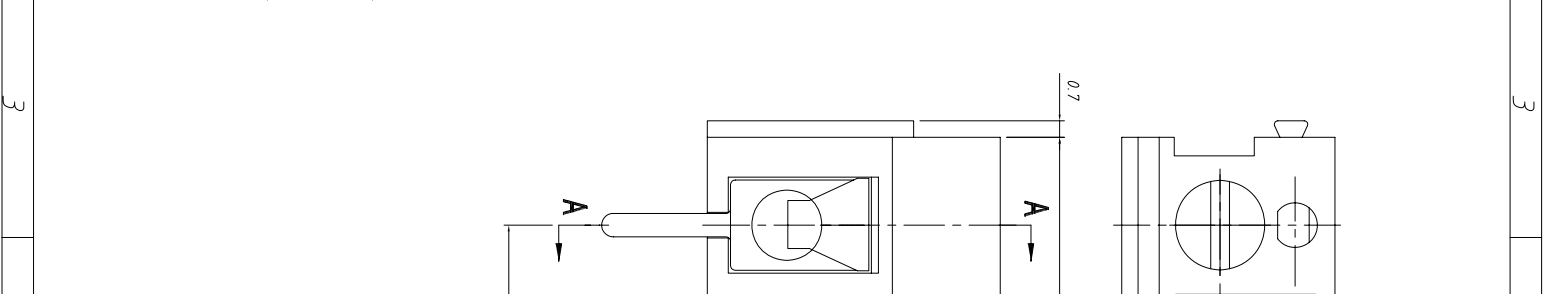
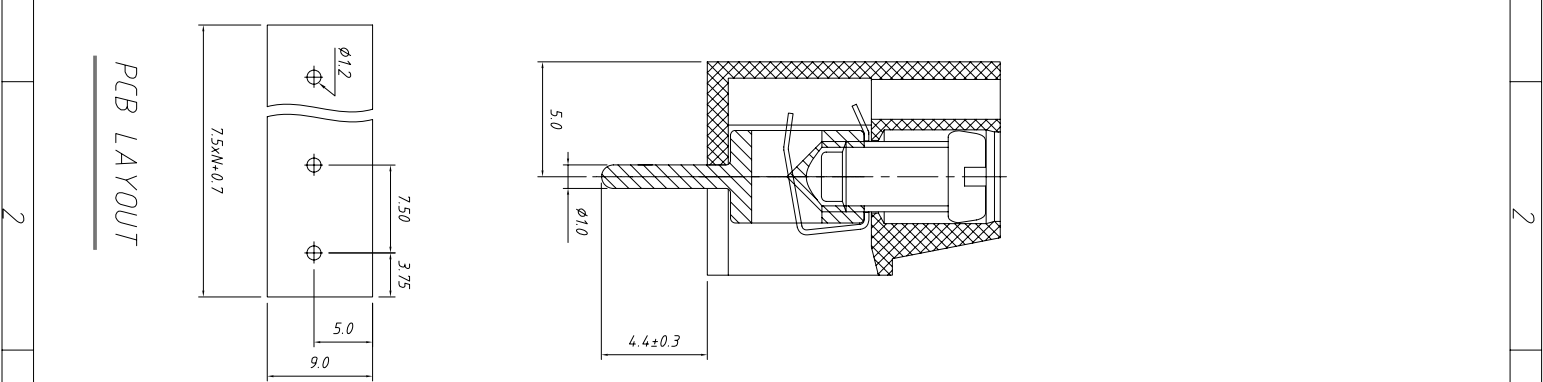


1 2 3 4 5 6 7 8

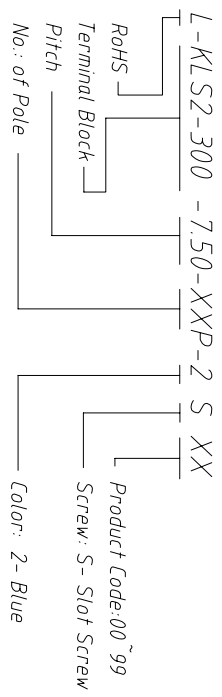


**Material**  
 Screw: M3, Steel, Zn plated  
 Shrapnel: Phosphor bronze, Nickel plated  
 Pin header: Brass, Tin plated  
 Housing: PA66, UL94V-0

**Electrical**  
 Rated voltage: 250V  
 Rated current: 16A  
 Wire range: 22~14AWG 2.5mm<sup>2</sup>  
 Contact Resistance: 20 mΩ  
 Insulation resistance: 500MΩ/DC500V  
 Withstand voltage: AC2000V / 1min

**Mechanical**  
 Temp. Range: -40 °C ~ +105 °C  
 Soldering: 250 °C 5Sec. Max.  
 Torque: 0.5 Nm (4.43Lb. in)  
 Strip length: 4.5~5 mm

**Order Information**



GENERAL TOLERANCE		ANGLE TOLERANCE		PROJECTION	
X. ±0.60	.X ±0.38	.XX ±0.25	X. ±5°	.X ±3°	.XX ±2°
Draw by: Date		2015-09-01		UNITS	
Check by: Date		2015-09-15		SHEET SIZE	
SCALE		SHEET		OF	
Description: Screw CONN TERM BLOCK 7.50MM					
KLS P/N: KLS2-300-7.50-XXP-2S					

KLS ELECTRONIC CO., LTD.

A B C D E F G H