

## RJ45 with Transformer

KLS12-TL174 100Base1x4 Tab-Down RJ45

### Electrical Specifications:

Insertion Loss: 1-100MHZ -1.0dB MAX

Return Loss: 1-30MHZ -16.0dB MIN

30-60MHZ -14.0dB MIN

60-80MHZ -10.0dB MIN

Cross Talk: 1-30MHZ -40.0dB MIN

30-60MHZ -35.0dB MIN

60-80MHZ -30.0dB MIN

CMR: 1-100MHZ -35.0dB MIN

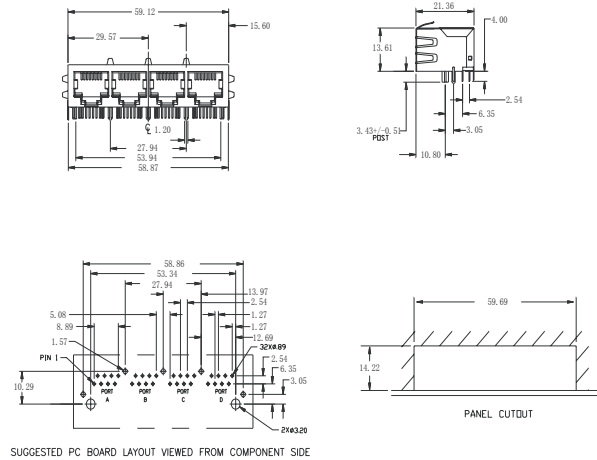
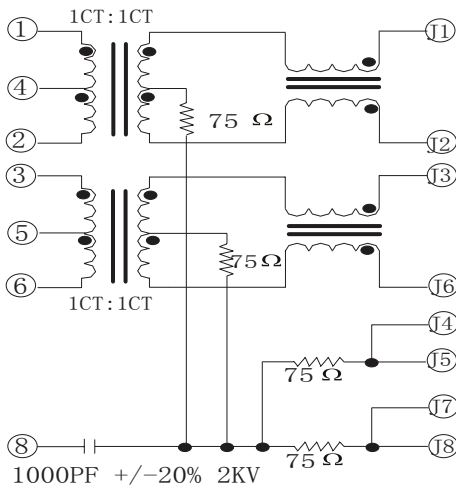
Hi-Pot: 1500v AC 6S 1mA

OCL:350uH MIN @ 100KHZ 100mV 8mA DC

Contacts: 0.35mm thick phos bronze plated with 6u' gold in contact area

Housing Material: PBT Black

Operating temperature range:0°C to +70°C



## ORDER INFORMATION

L-KLS12-TL174 -1X4 - 03

Part Number

Part Number

Gold Plating

1x4Ports

06u"