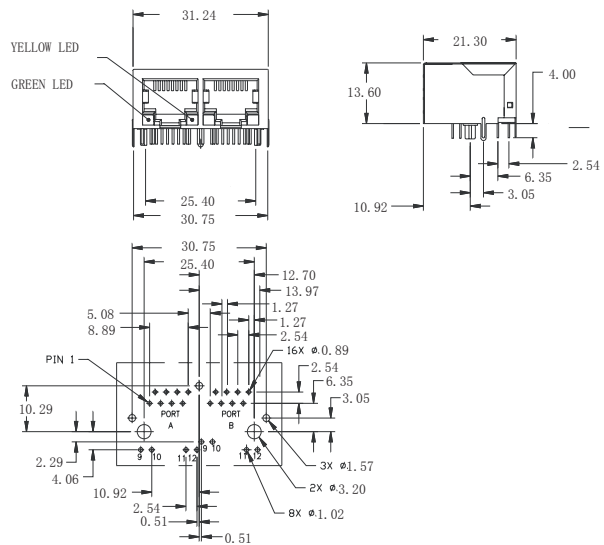
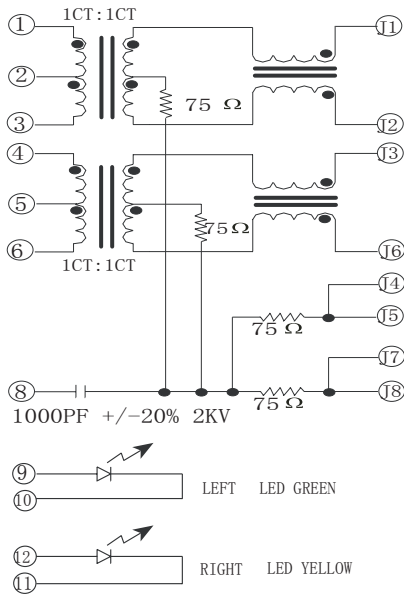
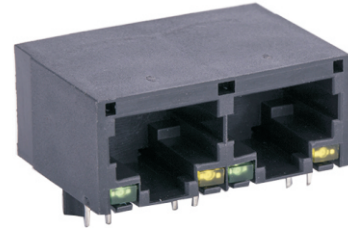


RJ45 with Transformer

KLS12-TL158 100Base1x2 Tab-Down RJ45

Electrical Specifications:

- Insertion Loss: 1-65MHZ -1.0dB MAX
- Return Loss: 1-10MHZ -20.0dB MIN
- 10-30MHZ -16.0dB MIN
- 30-60MHZ -12.0dB MIN
- 60-80MHZ -10.0dB MIN
- Cross Talk: 10-30MHZ -40.0dB MIN
- 30-60MHZ -35.0dB MIN
- 60-100MHZ-30.0dB MIN
- CMR: 1-50MHZ -30.0dB MIN
- 50-150MHZ -20.0dB MIN
- Hipot:1000V AC 6S 1mA
- OCL:350uH MIN @ 100KHZ 100mV 8mA DC



SUGGESTED PC BOARD LAYOUT VIEWED FROM COMPONENT SIDE
PCB LAYOUT DIMENSIONS TO BE ±.003 UNLESS OTHERWISE SPECIFIED

ORDER INFORMATION

L-KLS12-TL158 -1X2 - G

Part Number

Part Number

LED Style

1x2Ports

G-Green/Yellow