

RJ45 with Transformer

KLS12-TL135 1000 Base 2x2 RJ45

Electrical Specifications:

ELECTRICAL:

RoHS peak wave solder temperature rating 235^o
 High performance for maximum EMI suppression
 350uH minimum OCL with 8mA bias current
 PoE rating:15W,350mA,48V (For PoE Products only)

MECHANICAL:

JACK CAVITY CONFORMS TO FCC RULES AND REGULATIONS,PART 68 SUBPART F.

INSERTION FORCE: 2 CONTACTS----350g 4 CONTACTS----500g
 6 CONTACTS----750g 8 CONTACTS----900g
 10 CONTACTS----1050g

RETENTION STRENGTH: 7.7Kgs BETWEEN JACK AND PLUG
 DURABILITY: 750 MATING CYCLES Mini

MATERIAL:

HOUSING: 1) GLASS FILLED PA66 (UL 94V-0)
 2) GLASS FILLED PA46/LCP (UL 94V-0)
 3) GLASS FILLED PBT (UL 94V-0)

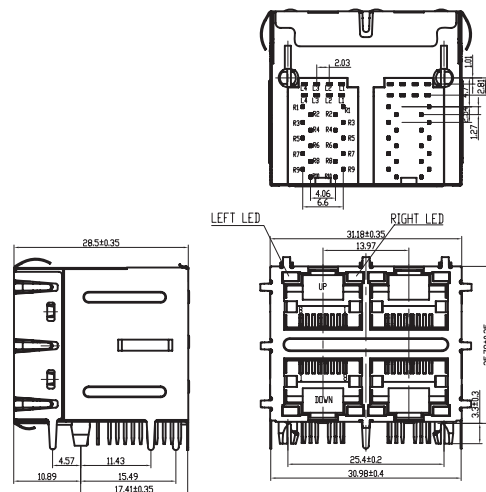
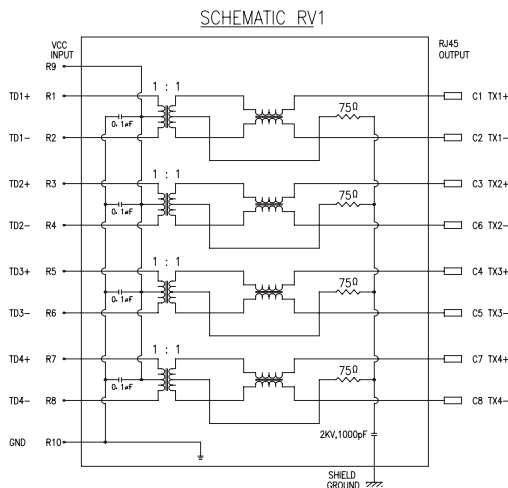
SPRING WIRE: 1) 0.2-0.45mm DIA PHOSPHOR BRONZE GOLD PLATING OVER NICKEL
 2) 0.2-0.35mm THICKNESS PHOSPHOR BRONZE ALLOY SELECTIVE GOLD PLATING OVER NICKEL

SHIELDING: 0.12-0.24mm THICKNESS COPPER ALLOY WITH TIN PLATED

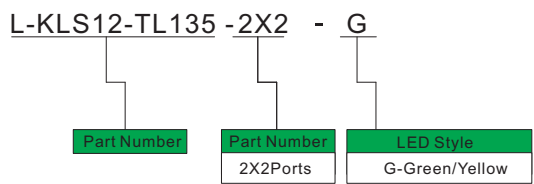
GOLD PLATING: 3 μ " , 6 μ " , 15 μ " , 30 μ " , 50 μ "

WORKING TEMPERATURE: -20^o~70^o

TOLERANCES UNLESS OTHERWISE SPECIFIED : 0~10 \pm 0.15, 10~20 \pm 0.2, 20~40 \pm 0.25, 40~70 \pm 0.3, 70 \pm 0.4



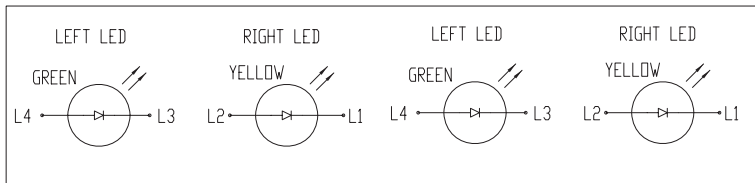
ORDER INFORMATION



RJ45 with Transformer

KLS12-TL135 1000 Base 2x2 RJ45

Electrical Specifications:



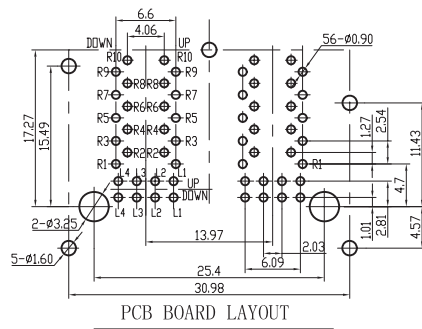
LED Specification

Standard LED Color	LED Wavelength	Forward (V MAX)	Typical (V TYP)	Luminous Intensity
Green	560-580 nm	2.5V	2.1-2.2V	9-25 MCD
Yellow	580-610 nm	2.5V	2.1-2.2V	9-30 MCD
Orange	580-610 nm	2.5V	2.1-2.2V	50-100 MCD

- LED intensity/wavelength measured with Photo Research PR-650 Colormeter
- With a forward current of 20 mA, Absolute Maximum Ratings (Ta=25°C)

ELECTRICAL SPECIFICATIONS AT 25°C

Insertion Loss dB max	Return Loss dB min		Crosstalk (dB TYP)	Common Mode Rejection (dB TYP)	Hipot (vrms)
	1-30MHz	30-80MHz			
1-125MHz	1-30MHz	30-80MHz	1-100MHz	1-100MHz	
-1.2	-18	-18+20log(f/30MHz)	-30	-30	1500/0.5mA OR 2250DC/0.1mA



PCB BOARD LAYOUT



ORDER INFORMATION

L-KLS12-TL135 -2X2 - G

Part Number

Part Number

LED Style

2X2Ports

G-Green/Yellow