

## SFP\*XFP\*QSFP/QSFP+ Connectors

### KLS12-SFP+06

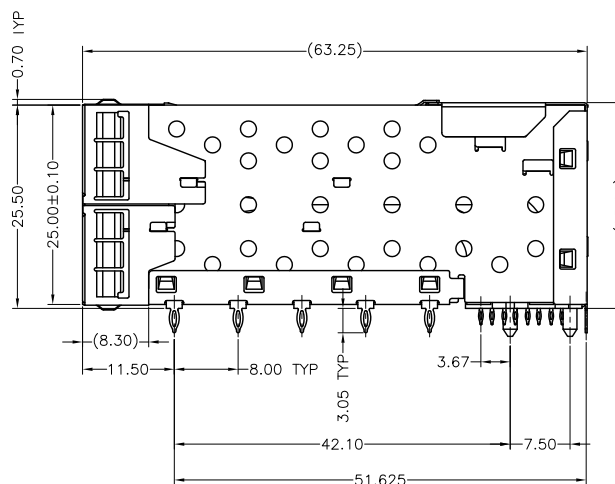
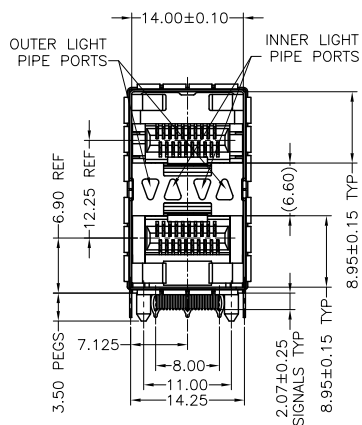
**MECHANICAL:**

CAGES: COPPER ALLOY, THICKNESS 0.25MM.  
 CONNECTOR HOUSING: GLASS FILLED PLASTIC, 94 V-0, COLOR: BLACK.  
 OVERMOLDED TERMINAL HOUSING: GLASS FILLED PLASTIC, 94 V-0, COLOR: BLACK.  
 LIGHTPIPES: POLYCARBONITE, 94 V-0, COLOR: CLEAR.  
 LIGHTPIPE HOLDER: GLASS FILLED PLASTIC, 94 V-0, COLOR: BLACK.  
 CLIP: STAINLESS STEEL.  
 TERMINAL: POSPHRR BRONZE.  
 GOLD PLATING FOR CONTACT AREA, THICKNESS SEE OPTION.  
 TIN PLATING FOR PRESS FIT AREA.  
 NICKEL PLATING AS UNDERLAYER FOR WHOLE TERMINAL.

VOLTAGE: 120 VOLTS AC.  
 CURRENT: SIGNAL APPLICATION ONLY.  
 DIFFERENTIAL IMPEDANCE: 100 OHMS.

TEMPERATURE:  
 OPERATION: -40°C~+85°C  
 STORAGE: -40°C~+85°C

LIGHTPIPE PAD LAYOUT IS FOR LOW-PROFILE LED PACKAGE. LED SIZE(LxWxH): 2x1x0.4MM MAX.  
 RoHS COMPLIANCE.



## ORDER INFORMATION

**KLS12-SFP+06**

Part Number